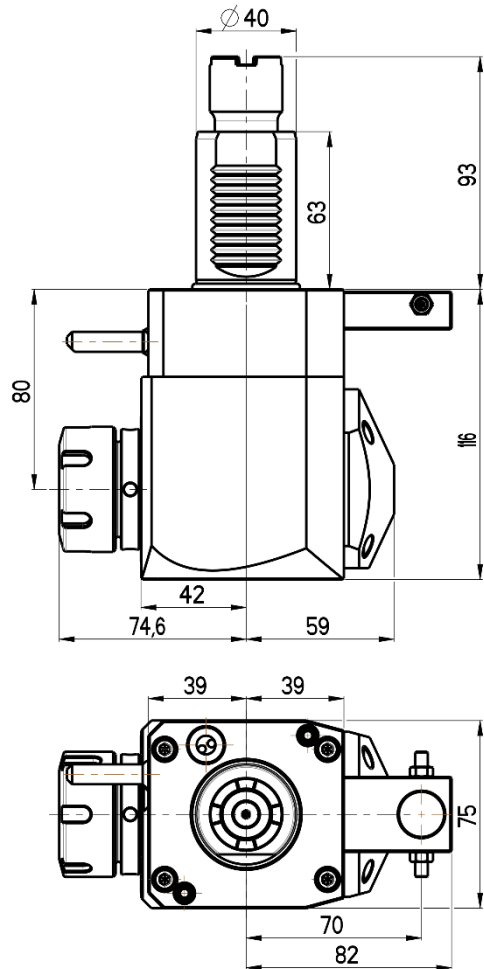
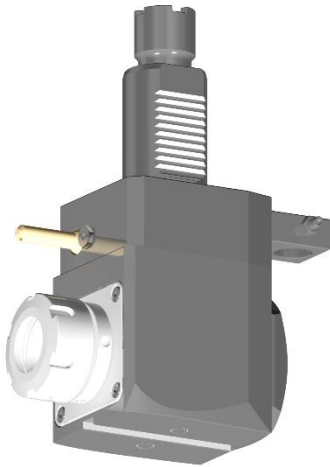




ANGULAR LIVE TOOL HOLDER

VDI 40 / STEPPED




RGX1-40/251-32/1.2-80JA

Max. speed: 6000 rpm

Max. torque: 50 Nm

Collet: ER32

Direction of rotation: 

Ratio: 1:1

Cooling: external (internal cooling available)

Accessories

Nut : Clamping wrench type E 32

Spindle: Hook wrench DIN 1810B 45-50

