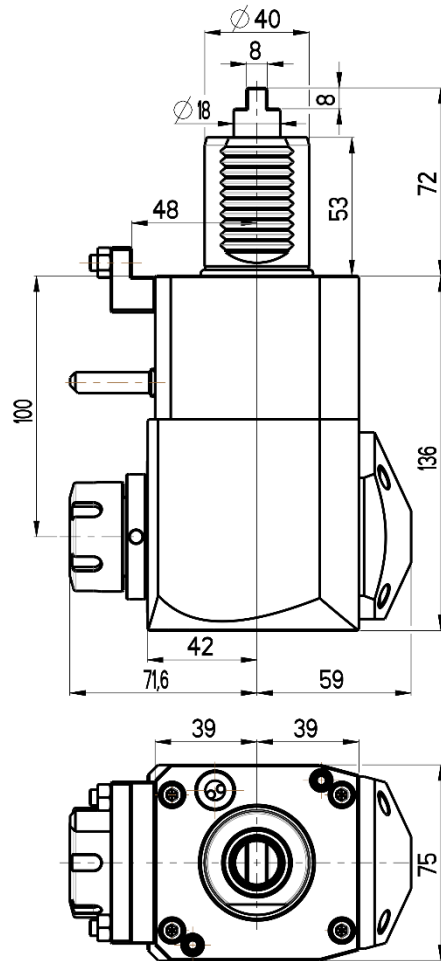
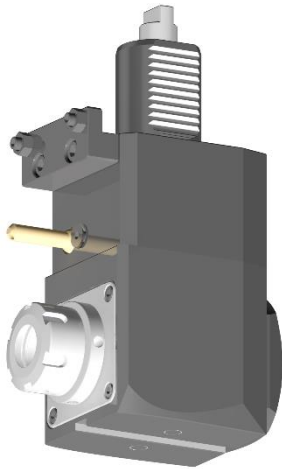




ANGULAR LIVE TOOL HOLDER

VDI 40 / DIN 1809



RGX1-40/221-25/1.2-100D

Max. speed: 6000 rpm

Max. torque: 50 Nm

Collet: ER25

Direction of rotation: 

Ratio: 1:1

Cooling: external (internal cooling available)

Accessories

Nut : Clamping wrench type E 25



Spindle: Hook wrench DIN 1810B 45-50

