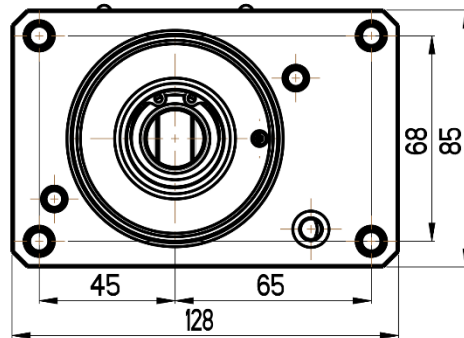
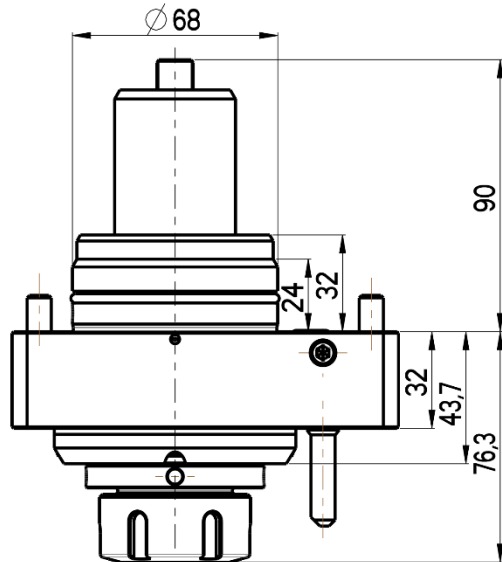
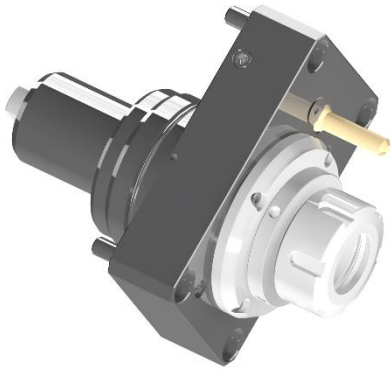




STRAIGHT LIVE TOOL HOLDER MAZAK BMT 68 TURRET



RGX2-68/101-32/1-12K(MZ)

Max. speed: 12000 rpm

Max. torque: 70 Nm

Collet: ER32

Direction of rotation: 

Ratio: 1:1

Cooling: external (internal cooling available)

Accessories

Nut : Clamping wrench type E 32



Spindle: Hook wrench DIN 1810B 58-62

