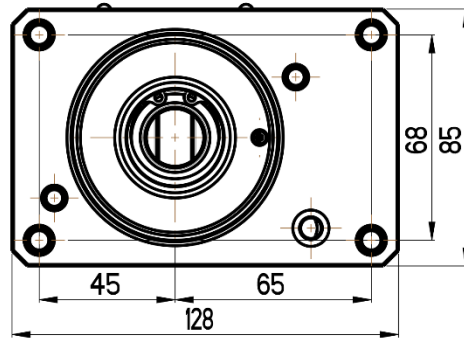
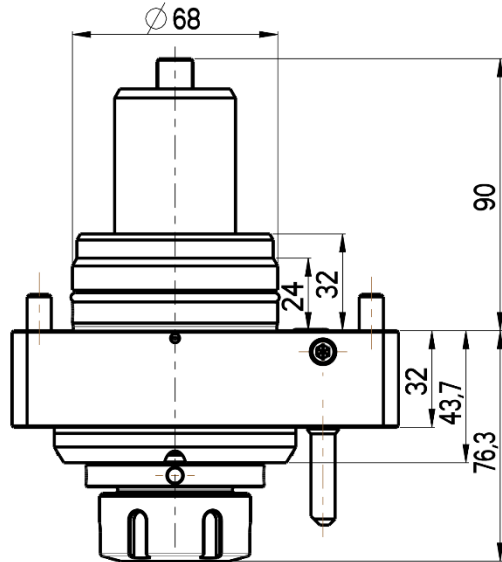




STRAIGHT LIVE TOOL HOLDER

MAZAK

BMT 68 TURRET



RGX2-68/101-32/2-12K(MZ)

Max. speed: 12000 rpm

Max. torque: 70 Nm

Collet: ER32

Direction of rotation:

Ratio: 1:1

Cooling: external & internal

Max. pressure: 20 bar

Accessories

Nut : Clamping wrench type E 32

Spindle: Hook wrench DIN 1810B 58-62

