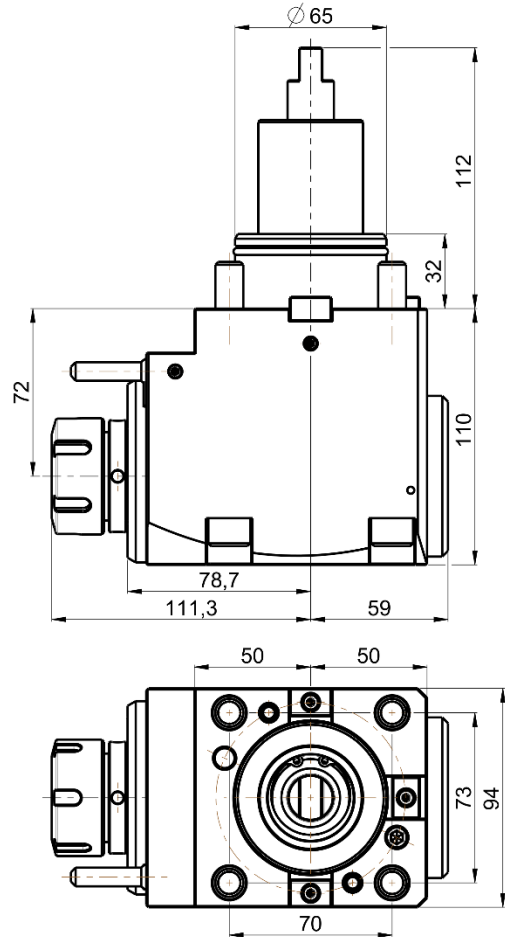
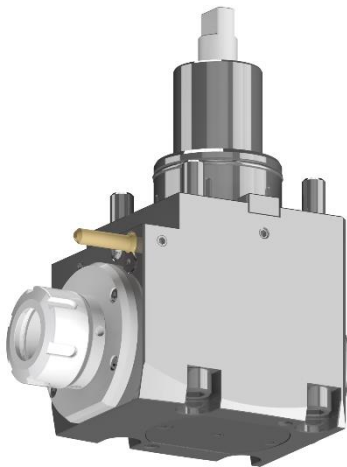




# ANGULAR LIVE TOOL HOLDER

DOOSAN, Victor. Hyundai WIA, HAAS

**BMT 65 TURRET**



**RGX2-65/201-32/2.3-72(DO)**

**Max. speed:** 6000 rpm

**Max. torque:** 70 Nm

**Collet:** ER32

**Direction of rotation:**

**Ratio:** 1:1

**Cooling:** external & internal

**Max. pressure:** 20 bar

## Accessories

**Nut :** Clamping wrench type E 32

**Spindle:** Hook wrench DIN 1810B 45-50

