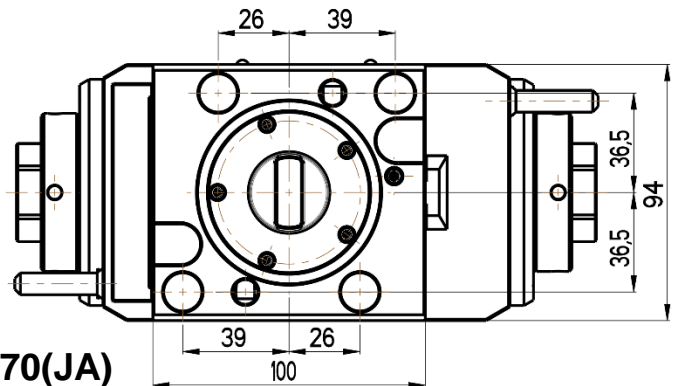
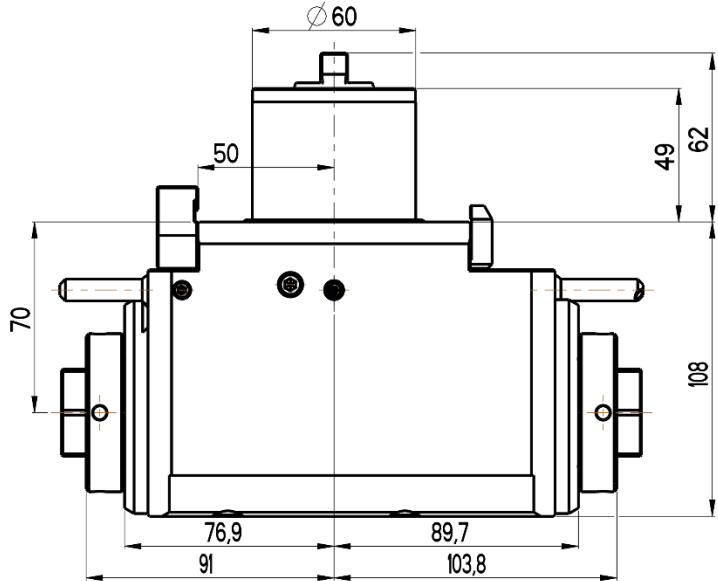
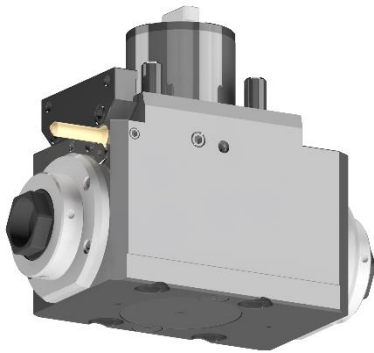




ANGULAR LIVE TOOL HOLDER

**OKUMA TURRET
LB 2000/2500/3000 EX M**



RGX2-60/201-32D/2.3-70(JA)

Max. speed: 6000 rpm

Max. torque: 70 Nm

Collet: ER32

Direction of rotation:

Ratio: 1:1

Cooling: external & internal

Max. pressure: 20 bar

Accessories

Nut : Spanner 32

Spindle: Hook wrench DIN 1810B 58-62

