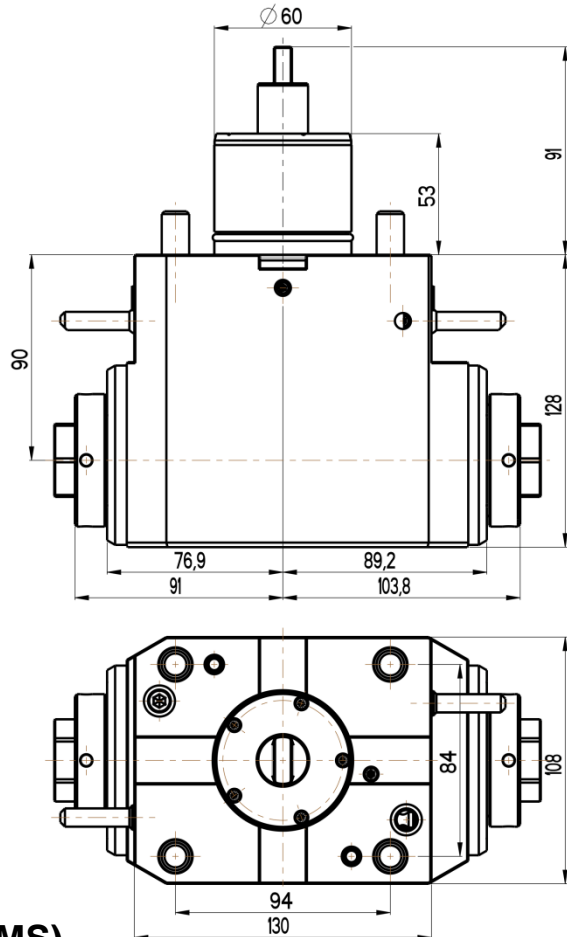




ANGULAR LIVE TOOL HOLDER

MORI SEIKI TURRET



RGX2-60/201-32D/1.3-90(MS)

Max. speed: 6000 rpm

Max. torque: 70 Nm

Collet: ER32

Direction of rotation:

Ratio: 1:1

Cooling: external (internal cooling available)

Accessories

Nut : Spanner 32

Spindle: Hook wrench DIN 1810B 58-62

