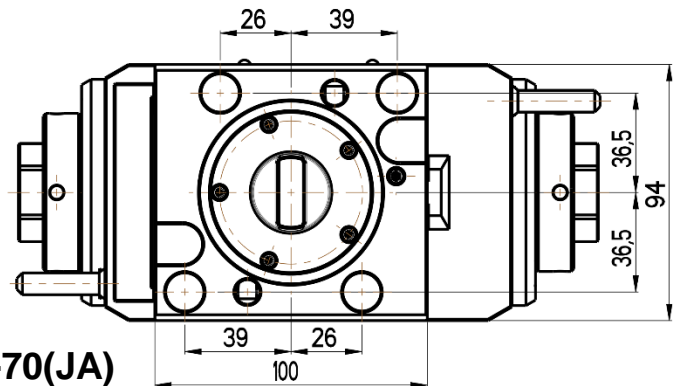
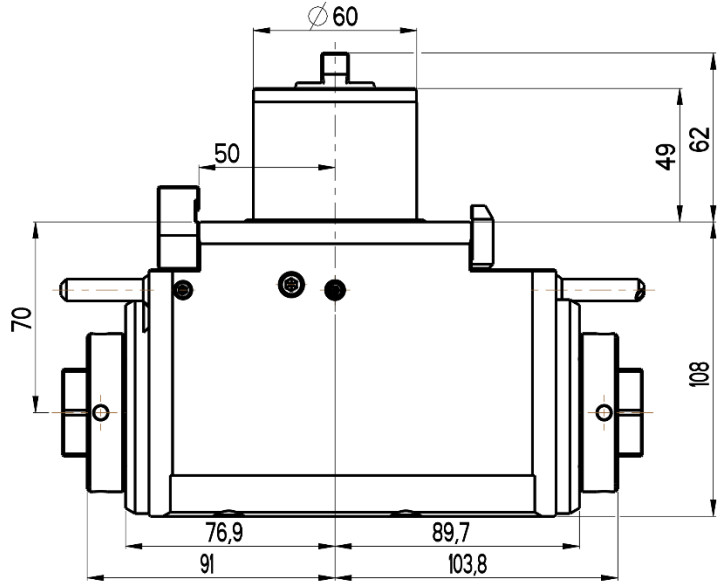
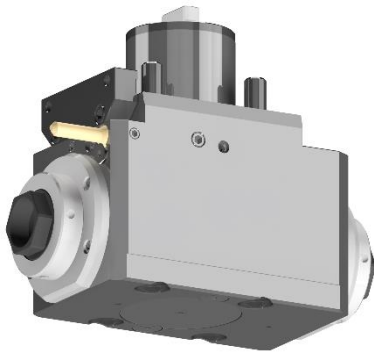




# ANGULAR LIVE TOOL HOLDER

## OKUMA TURRET LB 2000/2500/3000 EX M



**RGX2-60/201-32D/1.3-70(JA)**

**Max. speed:** 6000 rpm

**Max. torque:** 70 Nm

**Collet:** ER32

**Direction of rotation:**   / 

**Ratio:** 1:1

**Cooling:** external

### Accessories

**Nut:** Spanner 32

**Spindle:** Hook wrench DIN 1810B 58-62

