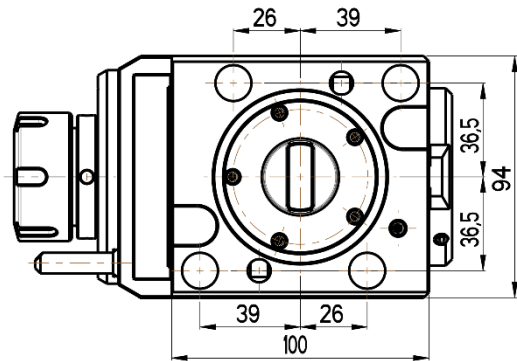
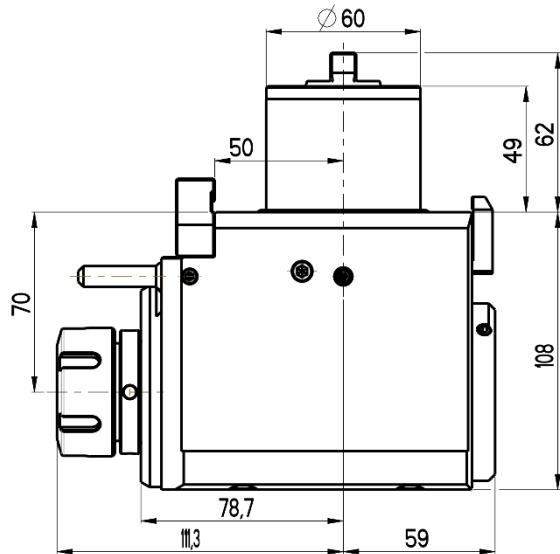
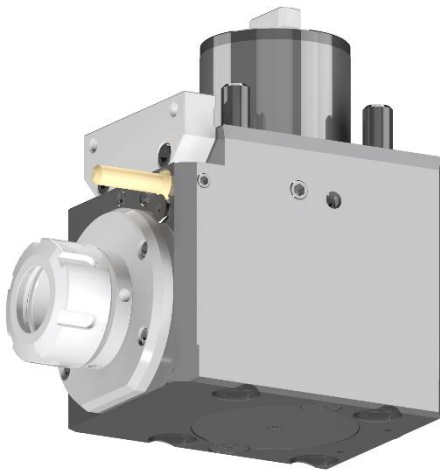




ANGULAR LIVE TOOL HOLDER

**OKUMA TURRET
LB 2000/2500/3000 EX M**





RGX2-60/201-32/1.3-70(JA)

Max. speed: 6000 rpm

Max. torque: 70 Nm

Collet: ER32

Direction of rotation:  

Ratio: 1:1

Cooling: external

Accessories

Nut : Clamping wrench type E 32

Spindle: Hook wrench DIN 1810B 45-50

