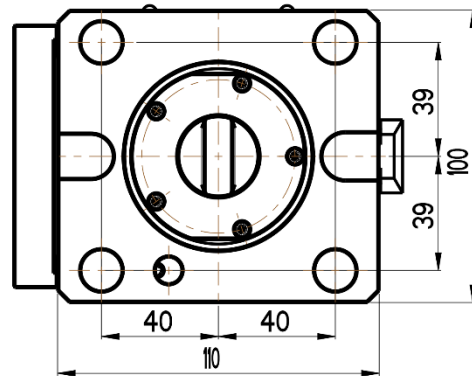
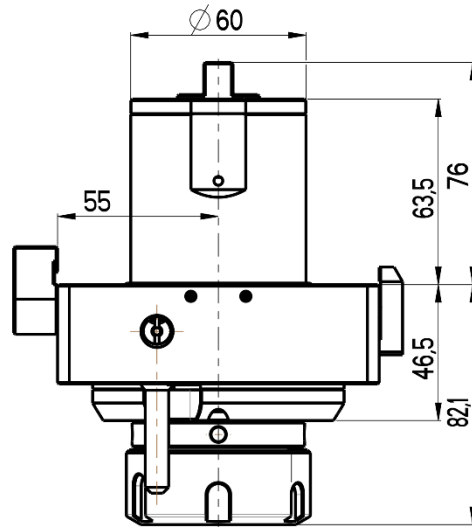
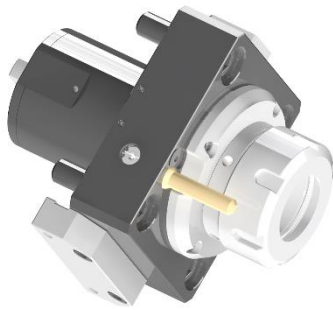




STRAIGHT LIVE TOOL HOLDER

OKUMA TURRET
LB 4000 EX M



RGX2-60/101-40/1(JB)

Max. speed: 6000 rpm

Max. torque: 80 Nm

Collet: ER40

Direction of rotation: 

Ratio: 1:1

Cooling: external

Accessories

Nut : Clamping wrench type E 40



Spindle: Hook wrench DIN 1810B 58-62

