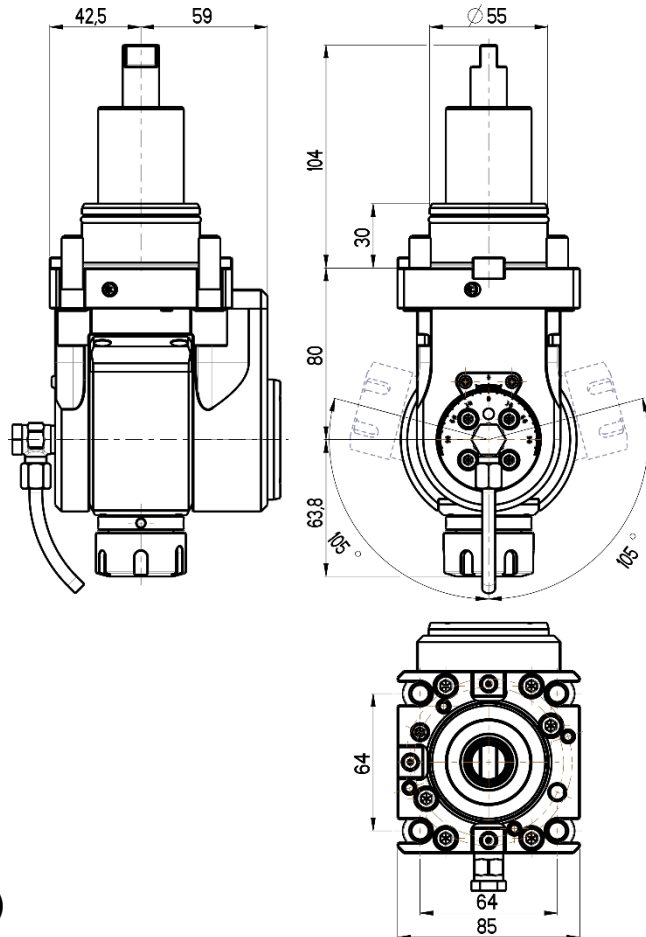
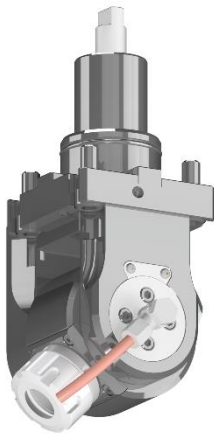




**VARIABLE ANGLE  
LIVE TOOL HOLDER  
DOOSAN, Victor. Hwacheon  
BMT 55 TURRET**



**RGX2-55/501-25/2(DO)**

**Max. speed:** 6000 rpm

**Max. torque:** 16 Nm

**Collet:** ER25

**Direction of rotation:** ↻ ↻

**Ratio:** 1:1

**Cooling:** external & internal

**Max. pressure:** 20 bar

**Accessories**

**Nut :** Clamping wrench type E 25

**Spindle:** Hook wrench DIN 1810B 40-42

