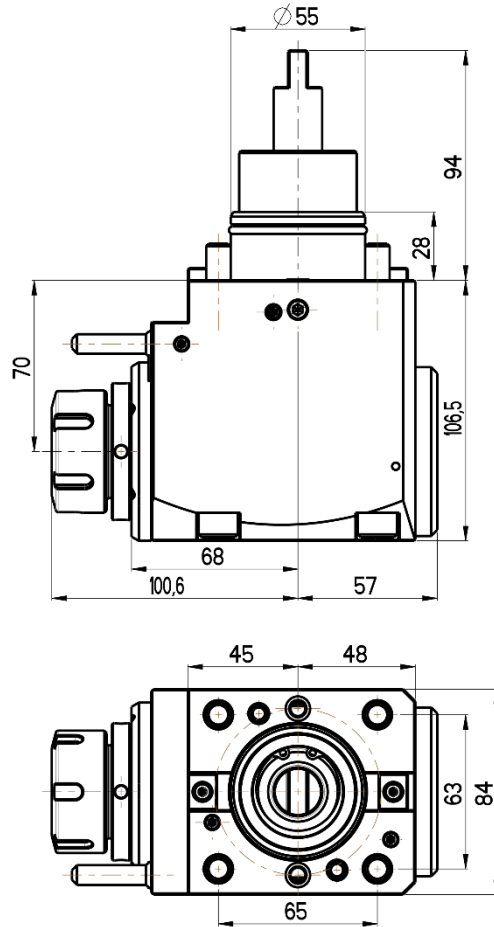
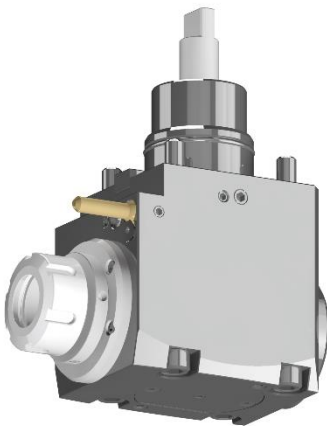




# ANGULAR LIVE TOOL HOLDER

*Biglia*

**BMT 55 TURRET**



**RGX2-55/201-32/2.3-70(BL)**

**Max. speed:** 6000 rpm

**Max. torque:** 50 Nm

**Collet:** ER32

**Direction of rotation:**

**Ratio:** 1:1

**Cooling:** external & internal

**Max. pressure:** 20 bar

## Accessories

**Nut :** Clamping wrench type E 32

**Spindle:** Hook wrench DIN 1810B 52-55

