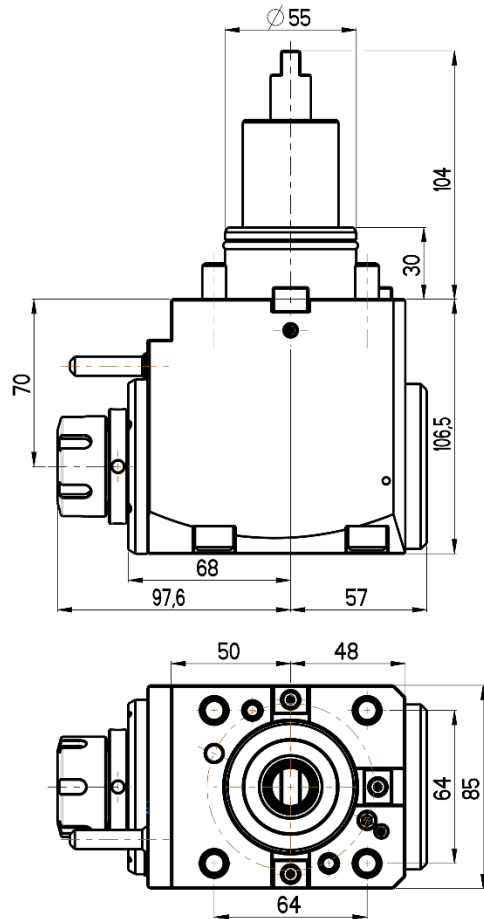
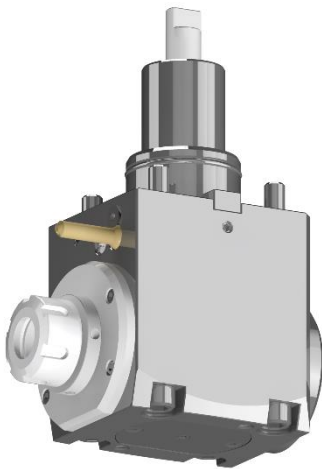




# ANGULAR LIVE TOOL HOLDER

DOOSAN, Victor. Hwacheon  
BMT 55 TURRET



**RGX2-55/201-25/1.3-70(DO)**

**Max. speed:** 6000 rpm

**Max. torque:** 50 Nm

**Collet:** ER25

**Direction of rotation:** 

**Ratio:** 1:1

**Cooling:** external (internal cooling available)

### Accessories

**Nut :** Clamping wrench type E 25



**Spindle:** Hook wrench DIN 1810B 45-50

