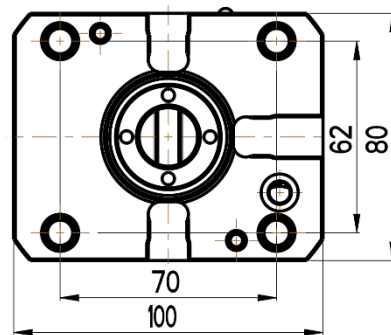
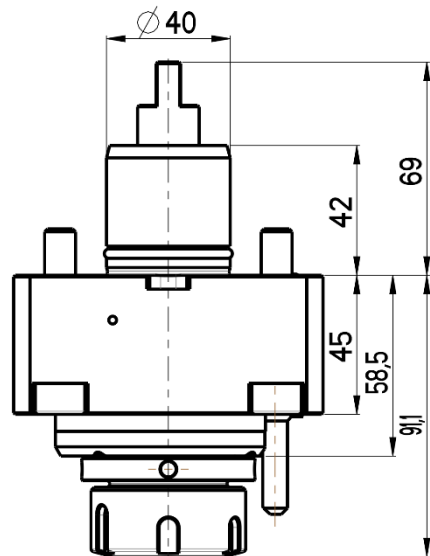
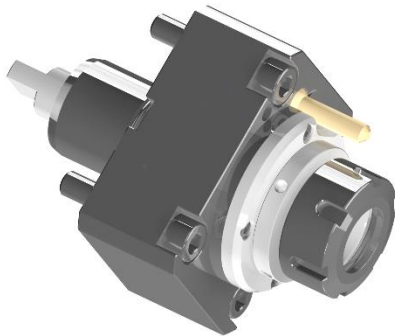




STRAIGHT LIVE TOOL HOLDER

MORI SEIKI

BMT 40 TURRET



RGX2-40/101-32/1-12K(MS)

Max. speed: 12000 rpm

Max. torque: 50 Nm

Collet: ER32

Direction of rotation: 

Ratio: 1:1

Cooling: external (internal cooling available)

Accessories

Nut : Clamping wrench type E 32



Spindle: Hook wrench DIN 1810B 52-55

