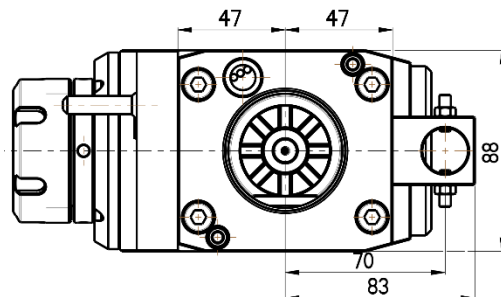
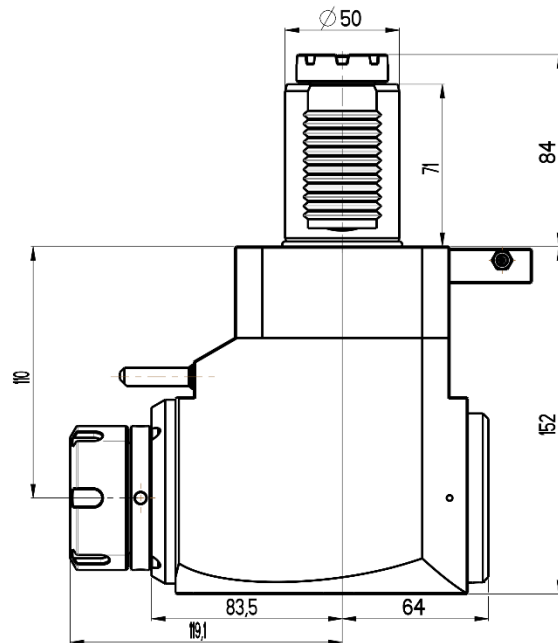
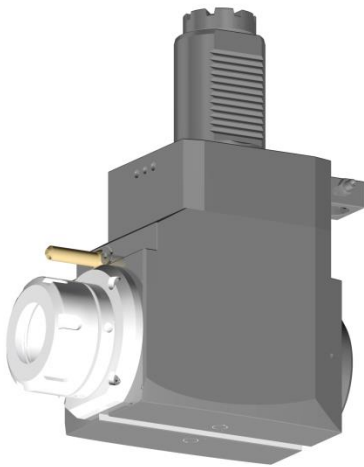




ANGULAR LIVE TOOL HOLDER

VDI 50 / TOEM 250



RGX1-50/241-40/1.2-110

Max. speed: 6000 rpm

Max. torque: 80 Nm

Collet: ER40

Direction of rotation:

Ratio: 1:1

Cooling: external (internal cooling available)

Accessories

Nut : Clamping wrench type E 40

Spindle: Hook wrench DIN 1810B 58-62

