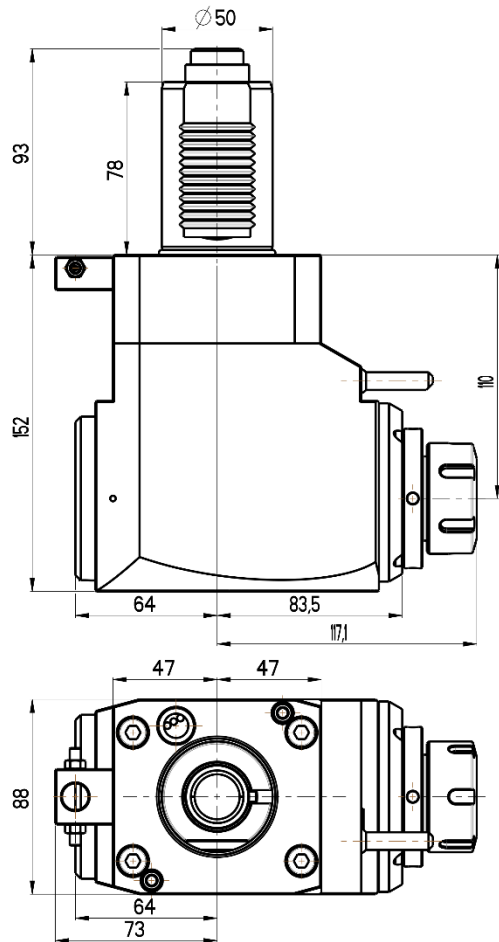
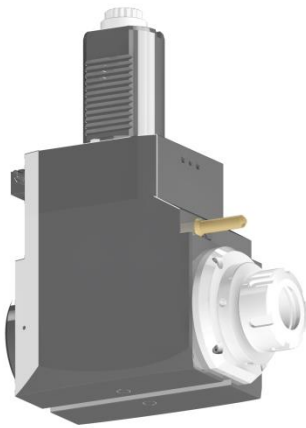




ANGULAR LIVE TOOL HOLDER

VDI 50 / DIN 5480




RGX1-50/231-32/1.1-110

Max. speed: 6000 rpm

Max. torque: 80 Nm

Collet: ER32

Direction of rotation: 

Ratio: 1:1

Cooling: external (internal cooling available)

Accessories

Nut : Clamping wrench type E 32



Spindle: Hook wrench DIN 1810B 58-62

