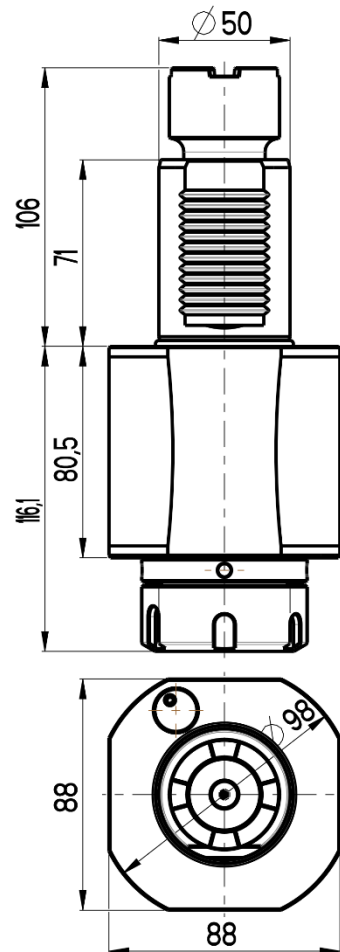
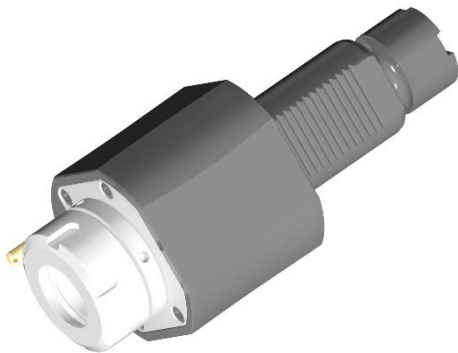




STRAIGHT LIVE TOOL HOLDER

VDI 50 / STEPPED



RGX1-50/151-40/1JA

Max. speed: 6000 rpm

Max. torque: 80 Nm

Collet: ER40

Direction of rotation:

Ratio: 1:1

Cooling: external (internal cooling available)

Accessories

Nut : Clamping wrench type E 40

Spindle: Hook wrench DIN 1810B 45846

