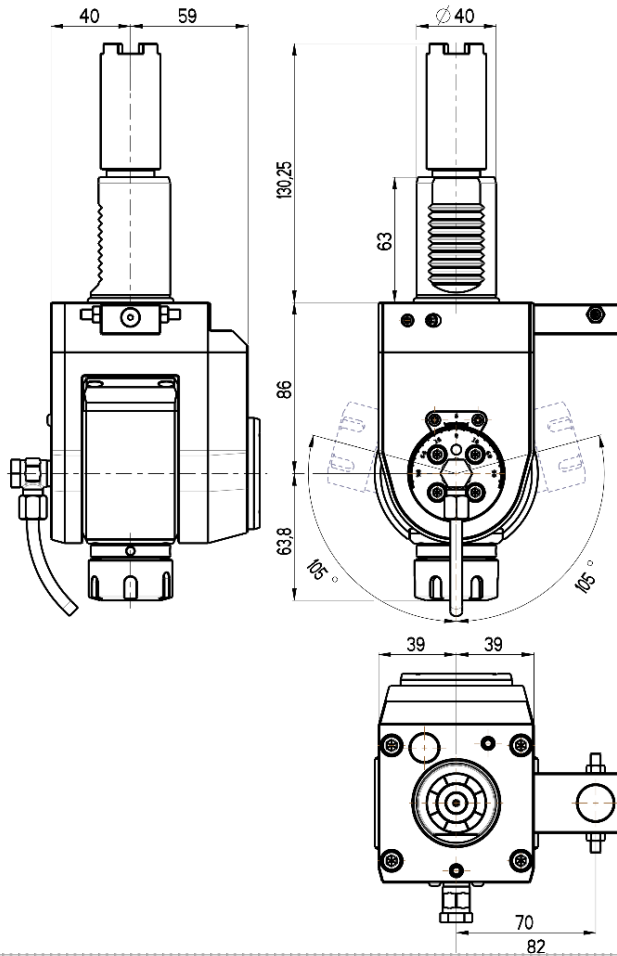
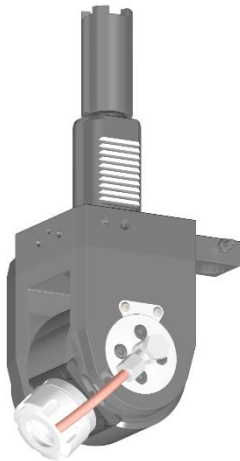




# VARIABLE ANGLE LIVE TOOL HOLDER VDI 40 / STEPPED



## RGX1-40/551-25/2C

**Max. speed:** 6000 rpm

**Max. torque:** 16 Nm

**Collet:** ER25

**Direction of rotation:** ↻ ↻

**Ratio:** 1:1

**Cooling:** external & internal

**Max. pressure:** 20 bar

### Accessories

**Nut :** Clamping wrench type E 25



**Spindle:** Hook wrench DIN 1810B 40-42

