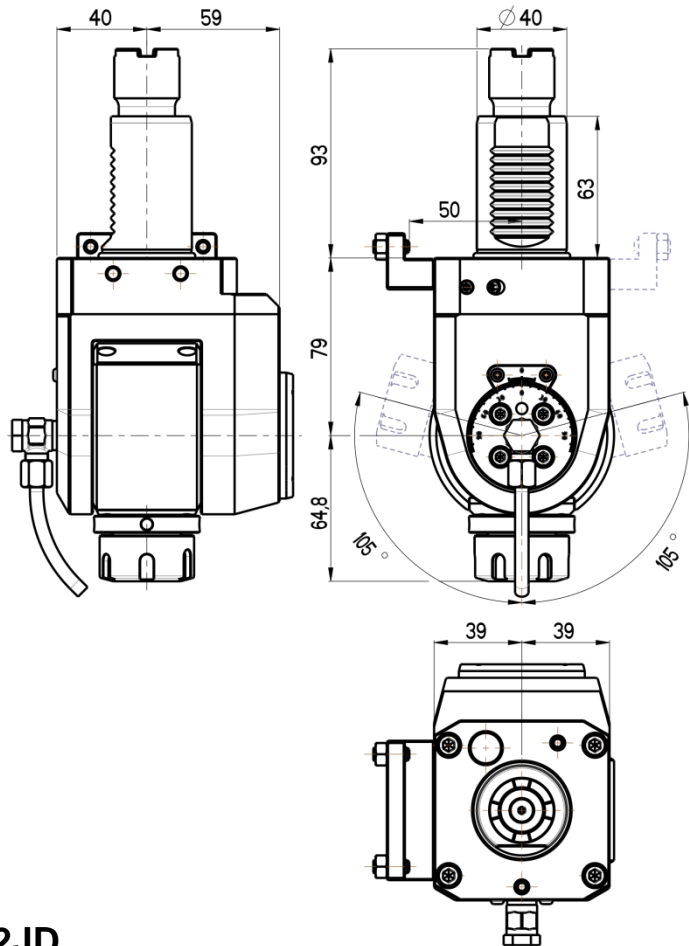




VARIABLE ANGLE LIVE TOOL HOLDER VDI 40 / STEPPED



RGX1-40/551-25/1.2JD

Max. speed: 6000 rpm

Max. torque: 16 Nm

Collet: ER25

Direction of rotation:

Ratio: 1:1

Cooling: external (internal cooling available)

Accessories

Nut : Clamping wrench type E 25



Spindle: Hook wrench DIN 1810B 40-42

