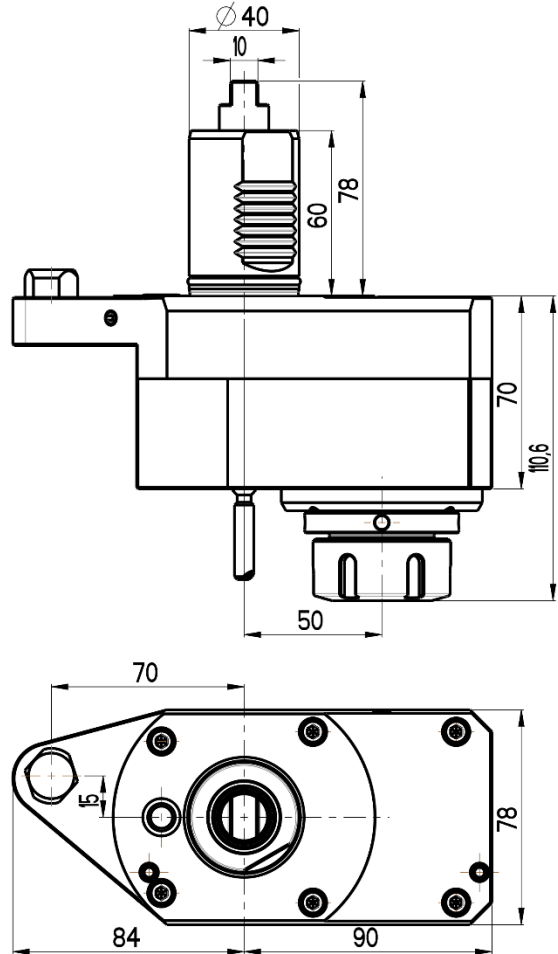
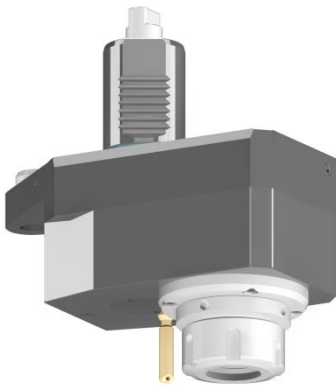




OFFSET STRAIGHT LIVE TOOL HOLDER MAZAK QTN200/250



RGX1-40/321-32/2.1-50MZZ

Max. speed: 6000 rpm

Max. torque: 50 Nm

Collet: ER32

Direction of rotation: ↻ ↺

Ratio: 1:1

Cooling: external & internal

Max. pressure: 20 bar

Accessories

Nut : Clamping wrench type E 32

Spindle: Hook wrench DIN 1810B 52-55

