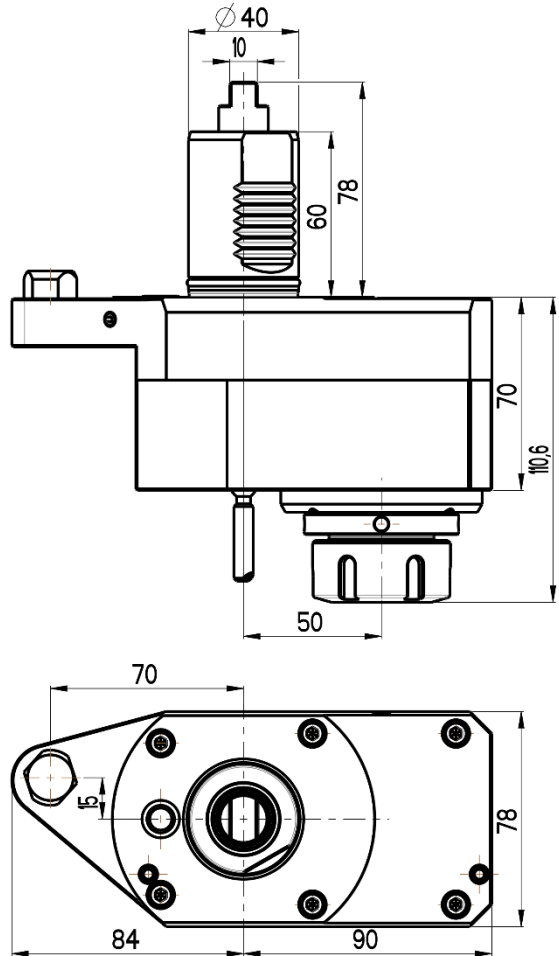
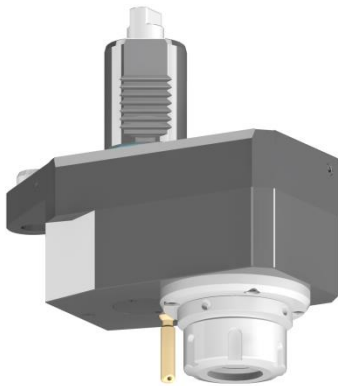




# OFFSET STRAIGHT LIVE TOOL HOLDER

MAZAK QTN200/250



**RGX1-40/321-32/2.1-50MZ2(1:2)**

**Max. speed:** 12000 rpm

**Max. torque:** 25 Nm

**Collet:** ER32

**Direction of rotation:**

**Ratio:** 1:2

**Cooling:** external & internal

**Max. pressure:** 20 bar

## Accessories

**Nut :** Clamping wrench type E 32

**Spindle:** Hook wrench DIN 1810B 52-55

