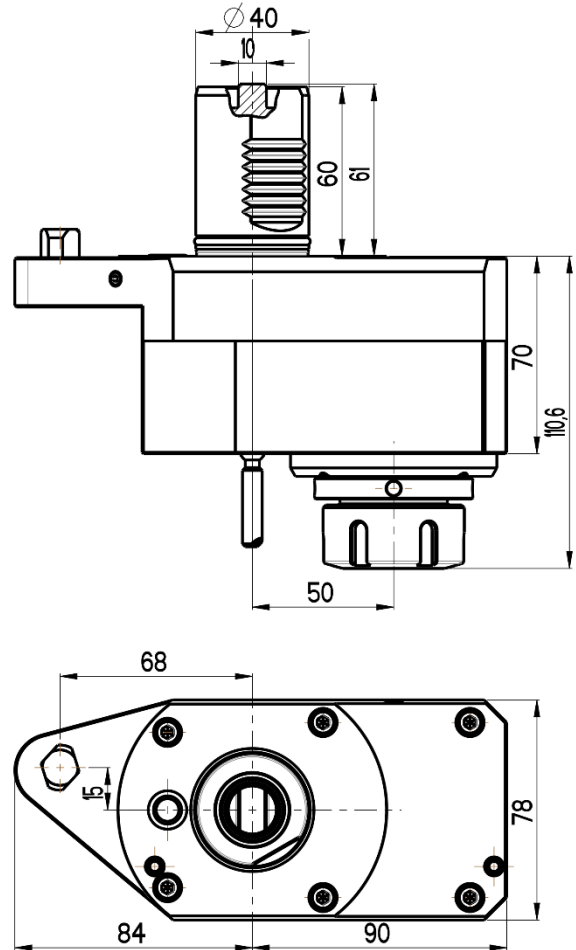
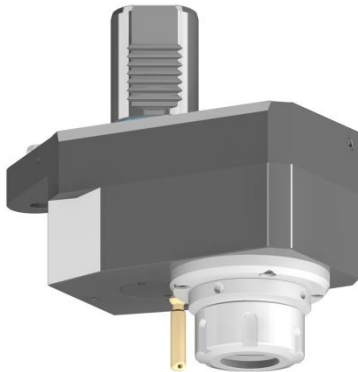




OFFSET STRAIGHT LIVE TOOL HOLDER

MAZAK QTN100/150



RGX1-40/321-32/2.1-50MZ1(1:2)

Max. speed: 12000 rpm

Max. torque: 25 Nm

Collet: ER32

Direction of rotation: ↻ ↻

Ratio: 1:2

Cooling: external & internal

Max. pressure: 20 bar

Accessories

Nut : Clamping wrench type E 32



Spindle: Hook wrench DIN 1810B 52-55

