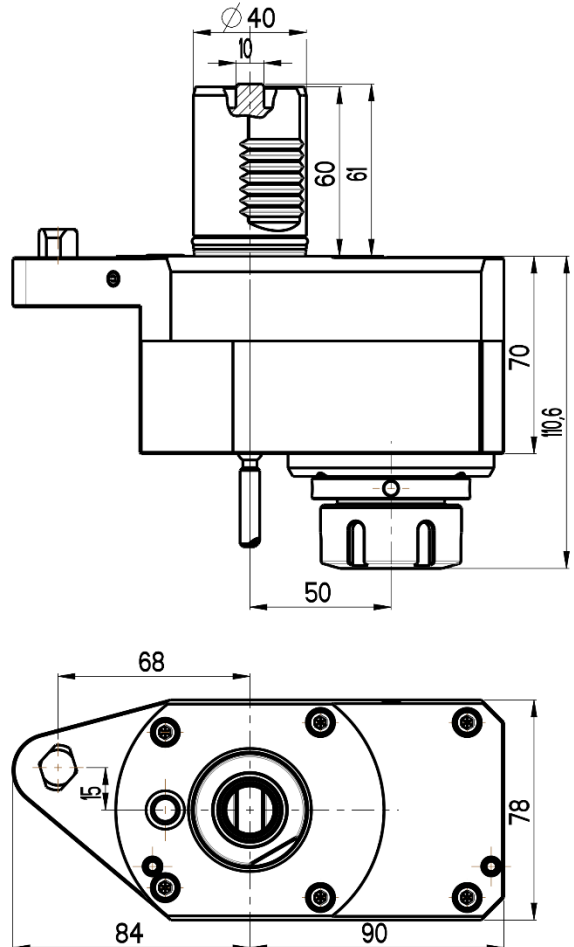
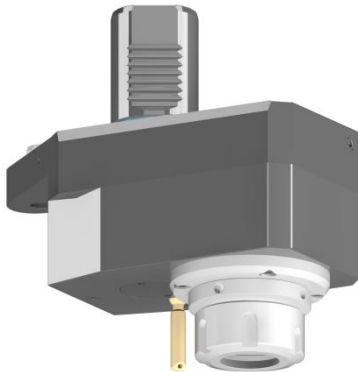




## OFFSET STRAIGHT LIVE TOOL HOLDER

MAZAK QTN100/150



**RGX1-40/321-32/1.1-50MZ1(2:1)**

**Max. speed:** 3000 rpm

**Max. torque:** 80 Nm

**Collet:** ER32

**Direction of rotation:**

**Ratio:** 2:1

**Cooling:** external (internal cooling available)

### Accessories

**Nut :** Clamping wrench type E 32

**Spindle:** Hook wrench DIN 1810B 52-55

