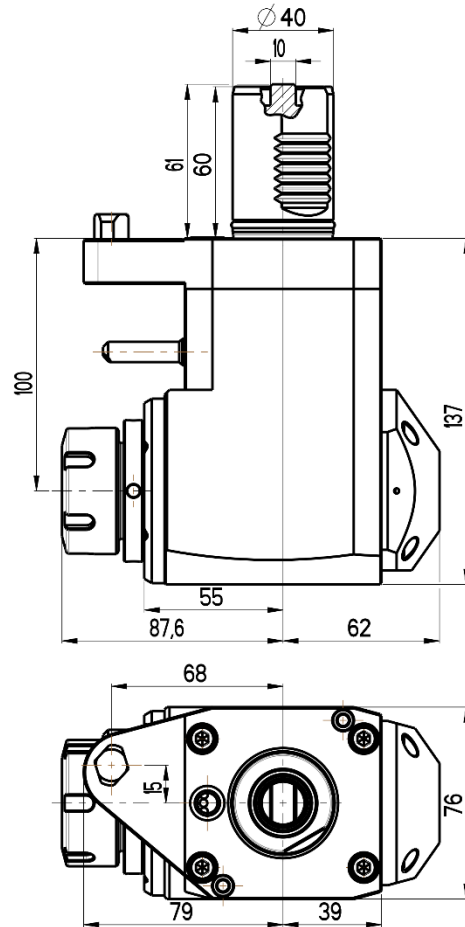
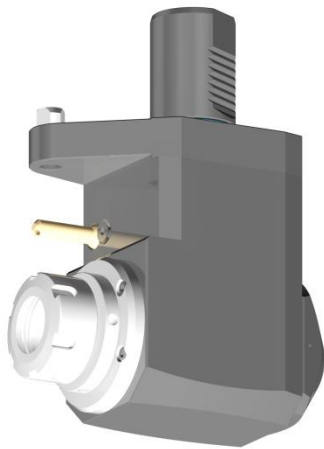




ANGULAR LIVE TOOL HOLDER

MAZAK QTN100/150



RGX1-40/221-32/2.2-100MZ1

Max. speed: 6000 rpm

Max. torque: 50 Nm

Collet: ER32

Direction of rotation: 

Ratio: 1:1

Cooling: external & internal

Max. pressure: 20 bar

Accessories

Nut : Clamping wrench type E 32

Spindle: Hook wrench DIN 1810B 52-55

