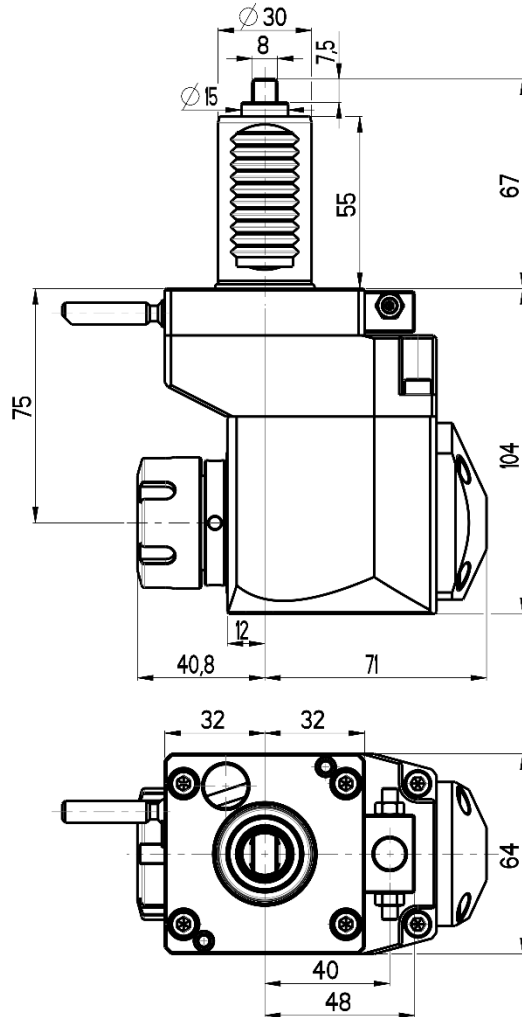
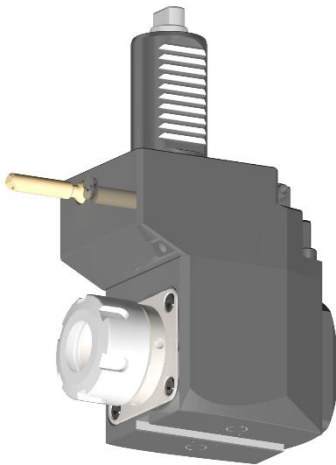




# OFFSET ANGULAR LIVE TOOL HOLDER

VDI 30 / ~DIN 1809



**RGX1-30/421-25/1.2-75B**

**Max. speed:** 6000 rpm

**Max. torque:** 28 Nm

**Collet:** ER25

**Direction of rotation:** 

**Ratio:** 1:1

**Cooling:** external (internal cooling available)

## Accessories

**Nut :** Hook spanner type E 25

**Spindle:** Hook wrench DIN 1810B 40-42

