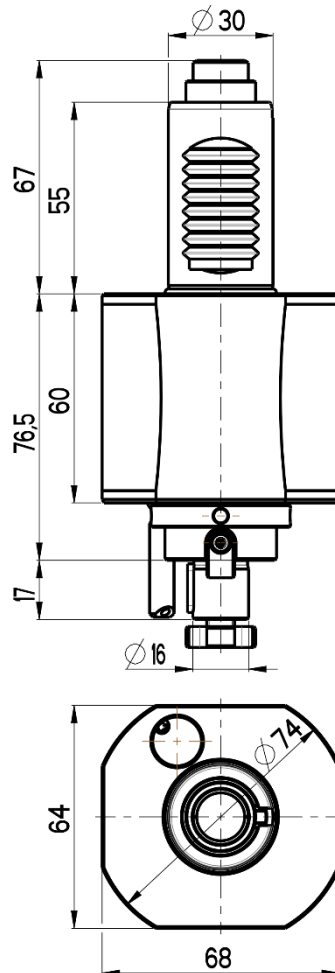
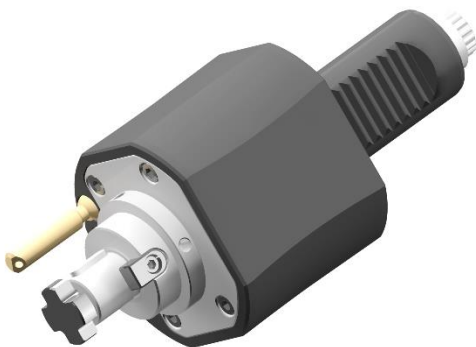




STRAIGHT LIVE TOOL HOLDER

VDI 30 / DIN 5480



RGX1-30/133-16/1

Max. speed: 6000 rpm

Max. torque: 28 Nm

Shell mill: $\phi 16$

Direction of rotation:

Ratio: 1:1

Cooling: external (internal cooling available)

Accessories

Nut : Wrench DIN 6368 16

Spindle: Hook wrench DIN 1810B 40-42

