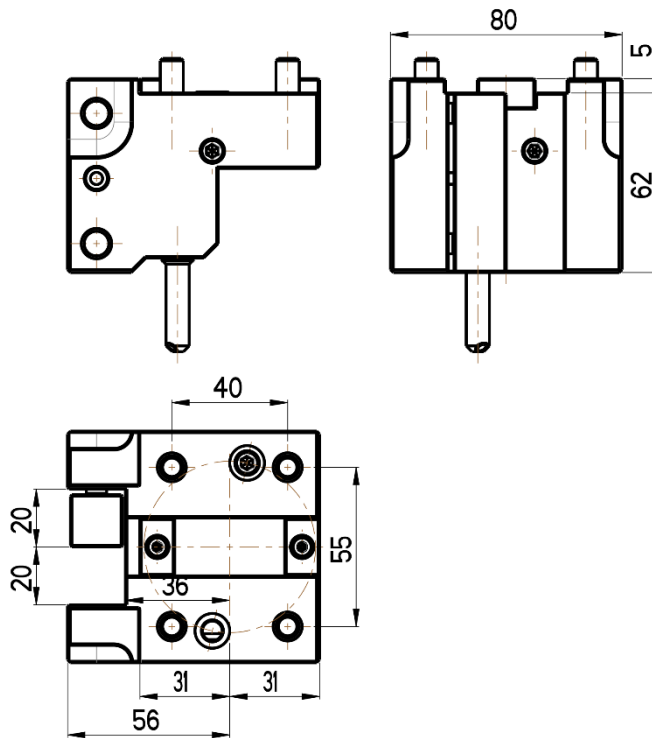
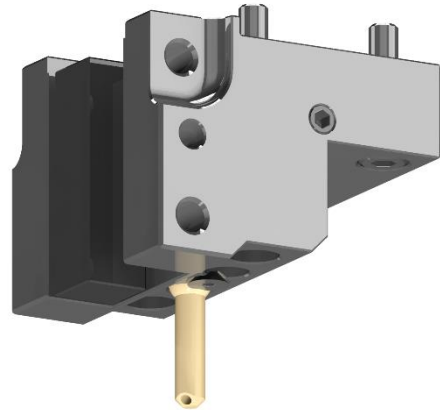




OD cutting holder
Nakamura-Tome TURRET
BMT 44



RGX OD-44x20x62(NT)

Cooling: *external*