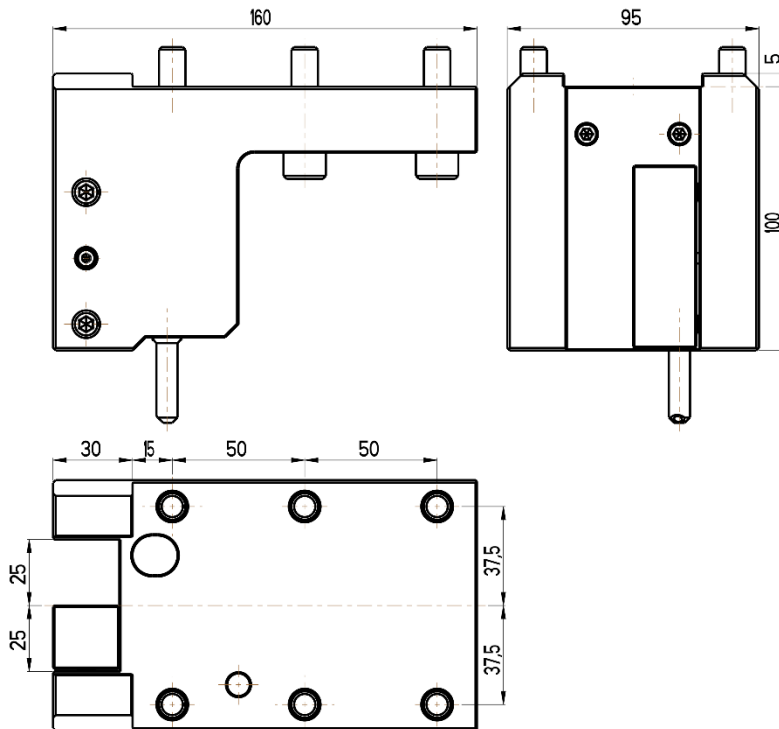
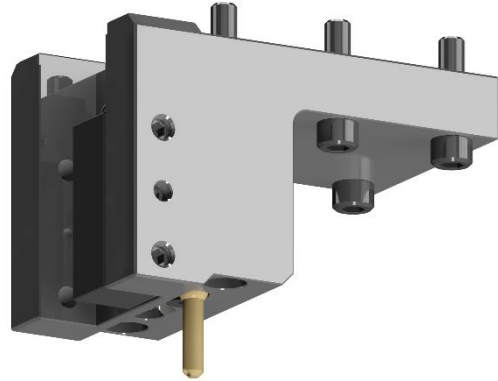




OD cutting holder
OKUMA TURRET
2SP-250H



RGX OD-25x100(JC)

Cooling: *external*