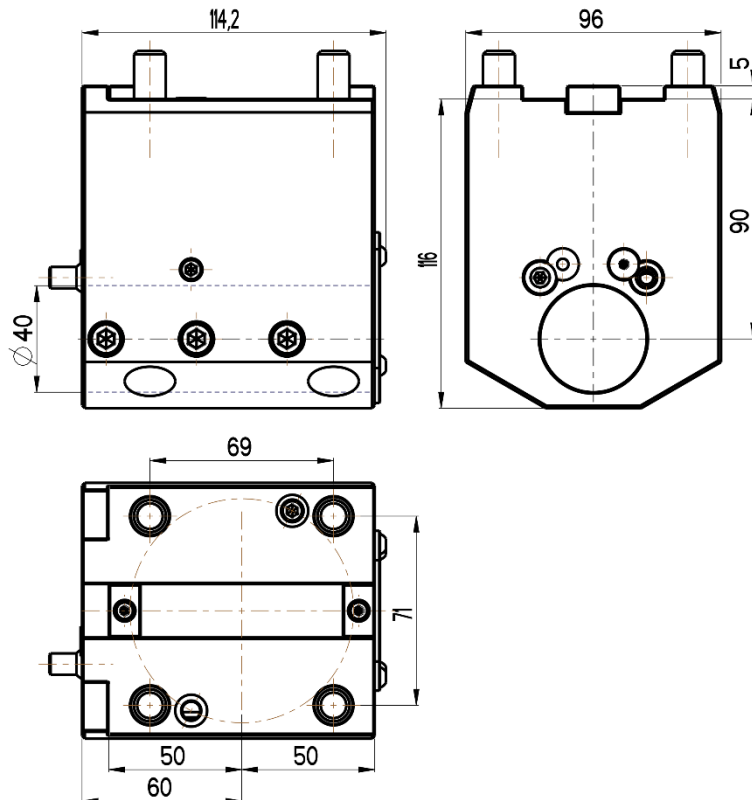
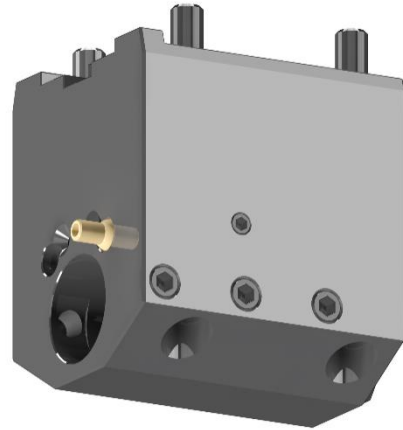




ID cutting holder
Nakamura-Tome TURRET
BMT 65



RGX ID-65x40x90(NT)

Cooling: external & internal