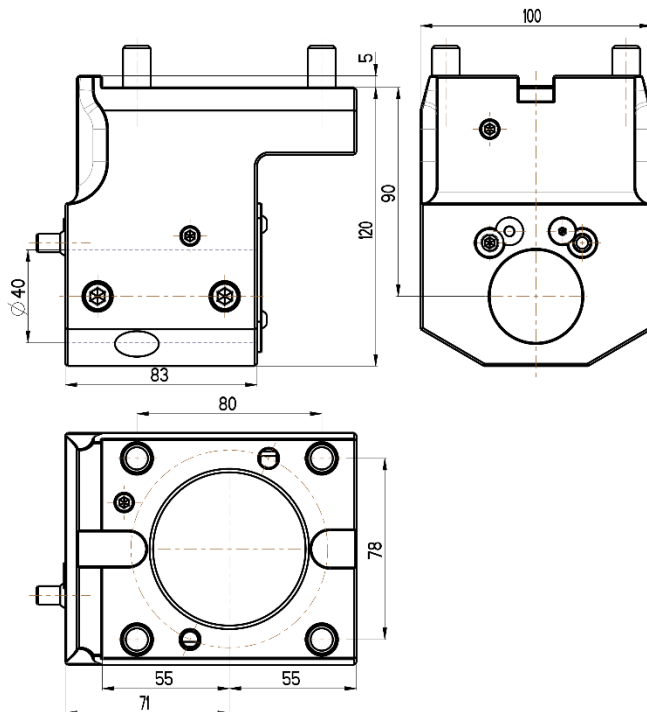
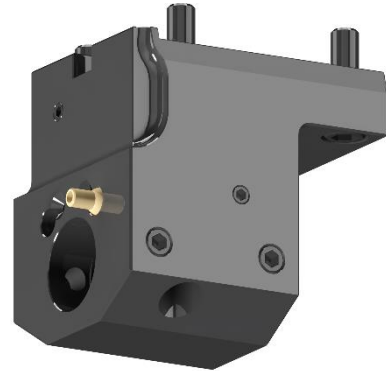




ID cutting holder

**OKUMA TURRET
LB4000 EX M
BMT 60**



RGX ID-60x40x90(JB)

Cooling: *external & internal*