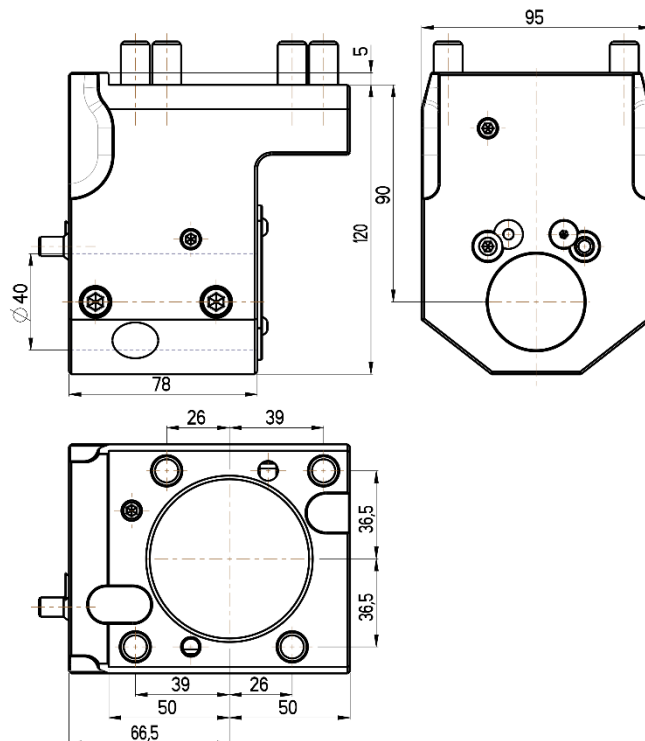
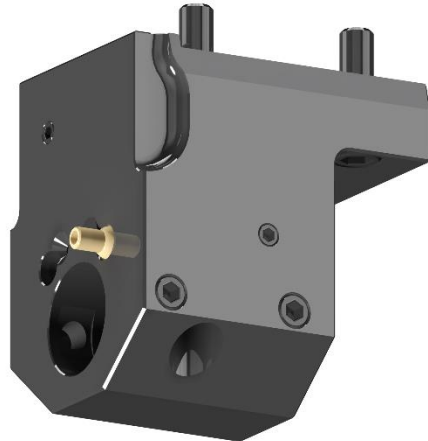




ID cutting holder

**OKUMA TURRET
LB2000/2500/LB3000 EX M
BMT 60**



RGX ID-60x40x90(JA)

Cooling: *external & internal*