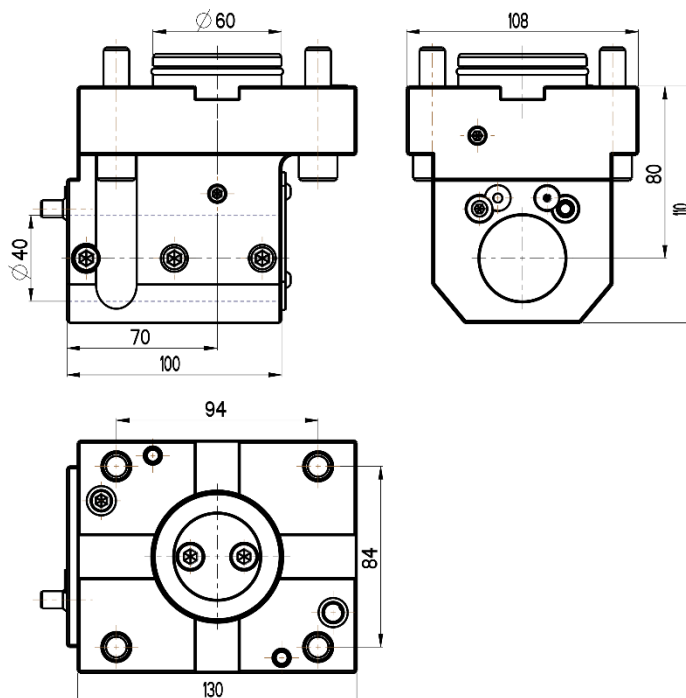
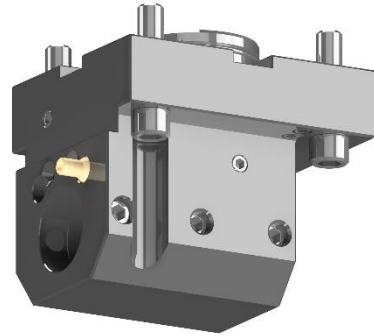




ID cutting holder

**Mori Seiki TURRET
NL 1500/200/2500/3000
BMT 60**



RGX ID-60x40x80(MS)

Cooling: *external & internal*