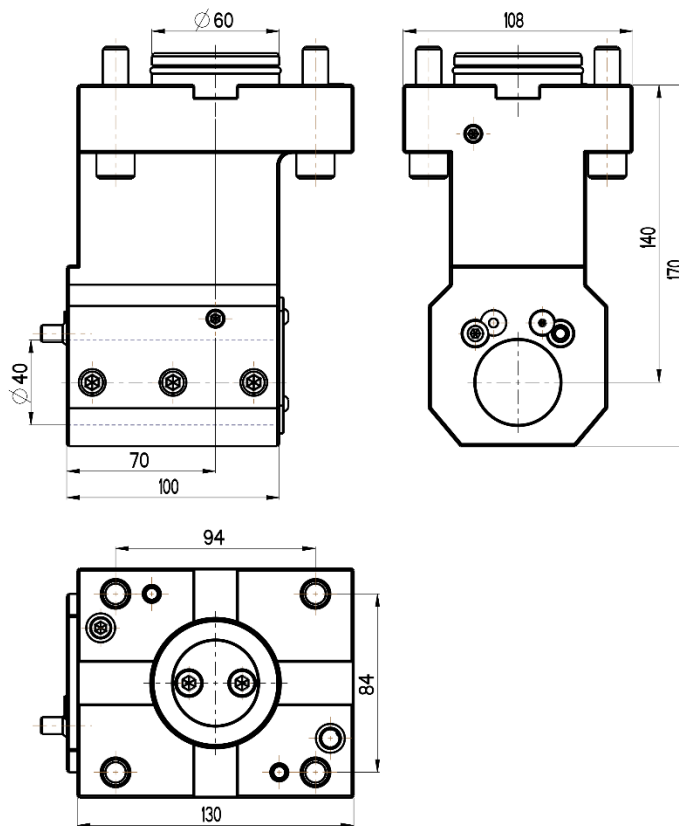
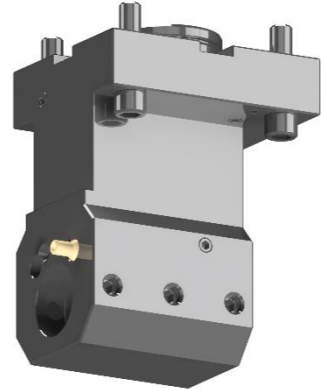




## ID cutting holder

Mori Seiki TURRET  
NL 1500/200/2500/3000  
BMT 60



**RGX ID-60x40x140(MS)**

**Cooling:** external & internal