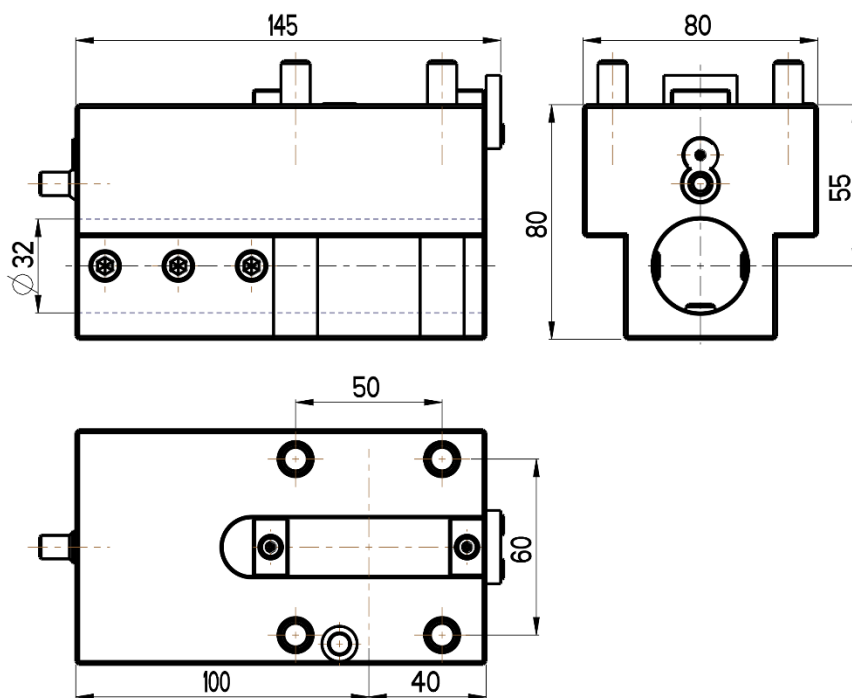
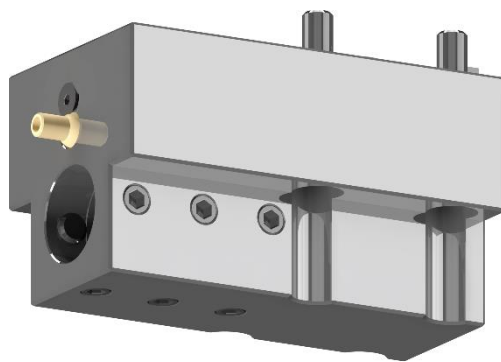




**ID cutting holder**  
**Nakamura-Tome TURRET**  
**BMT 55**



**RGX ID-55x32x55(NT)**

**Cooling:** *external*