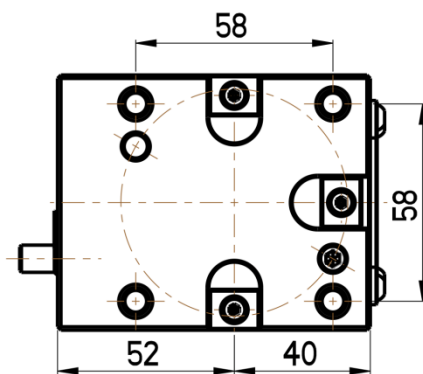
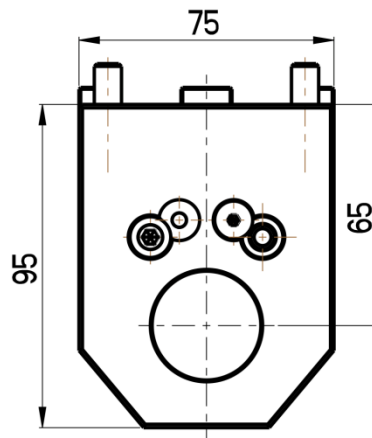
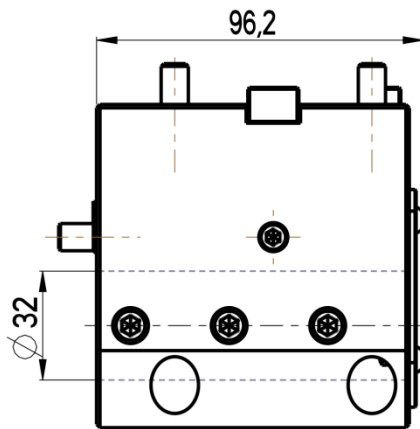
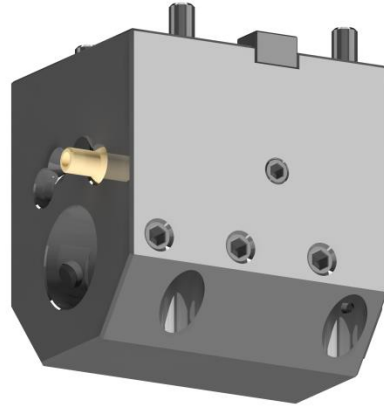




**ID cutting holder**  
**DOOSAN TURRET**  
**BMT 45**



**RGX ID-45x40x65(DO)**

**Cooling:** external & internal