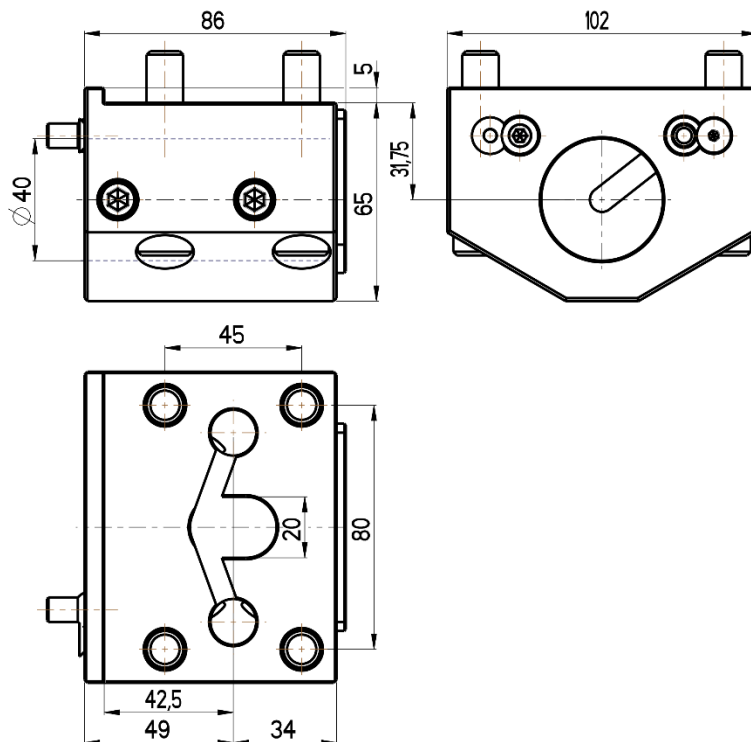
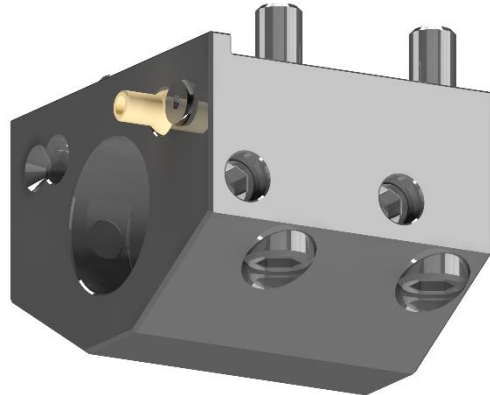




ID cutting holder

**HAAAS TURRET Hybrid VB12
DS-30Y, SL20/30Y, ST-20/30Y**



RGX ID-40X31,75(HA)

Cooling: external & internal