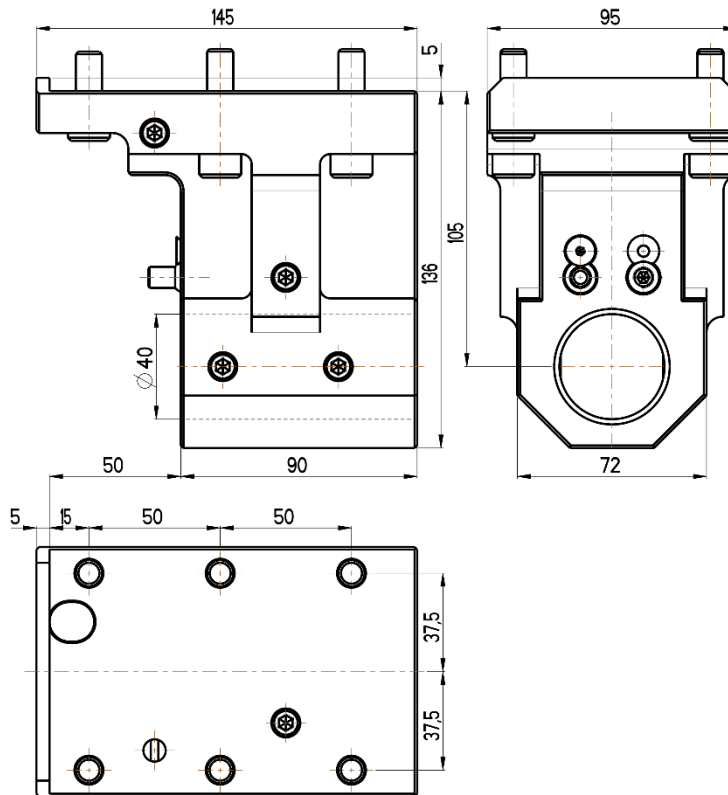
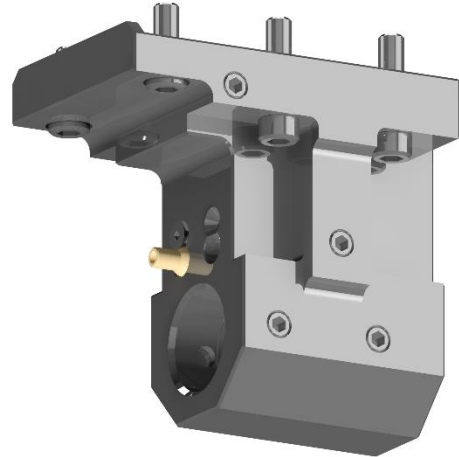




ID cutting holder

OKUMA TURRET

2SP-250H



RGX ID-40x105O(JC)

Cooling: external & internal