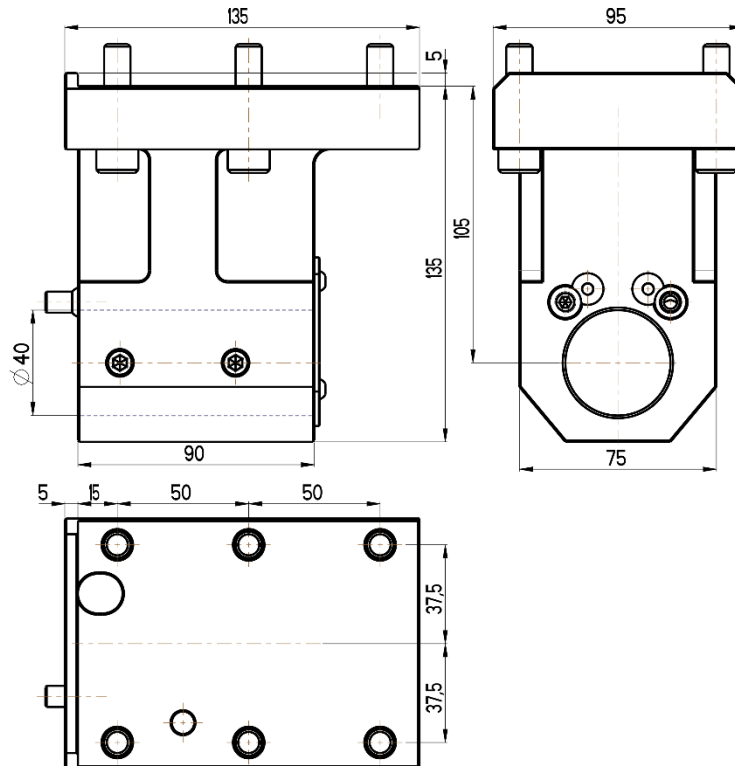
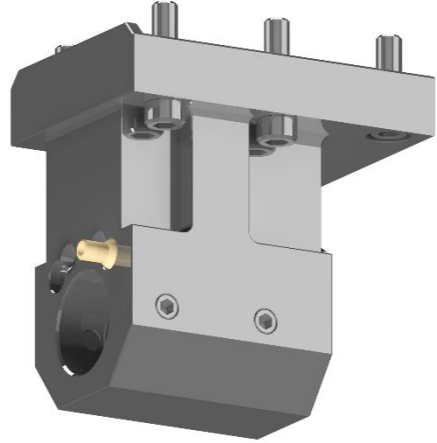




ID cutting holder

OKUMA TURRET

2SP-250H



RGX ID-40x105(JC)

Cooling: *external & internal*