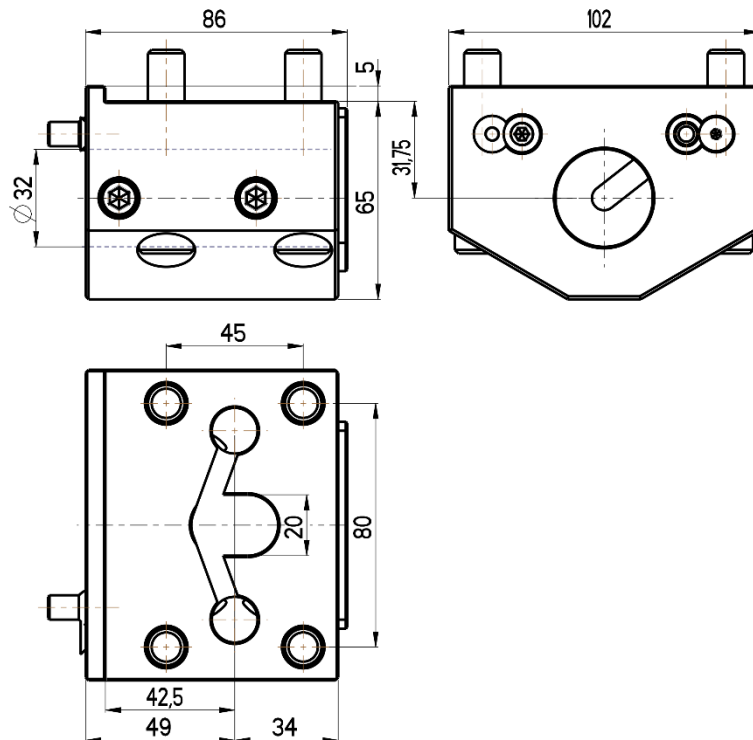
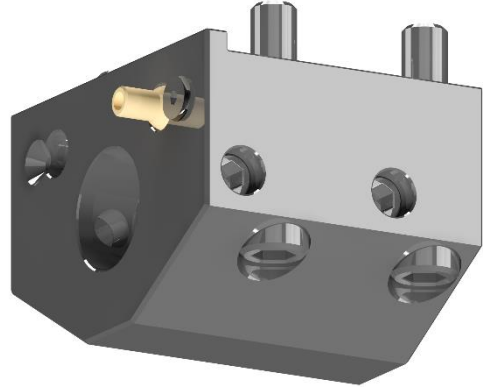




## ID cutting holder

**HAAAS TURRET Hybrid VB12  
DS-30Y, SL20/30Y,ST-20/30Y**



**RGX ID-32X31,75(HA)**

**Cooling:** *external & internal*