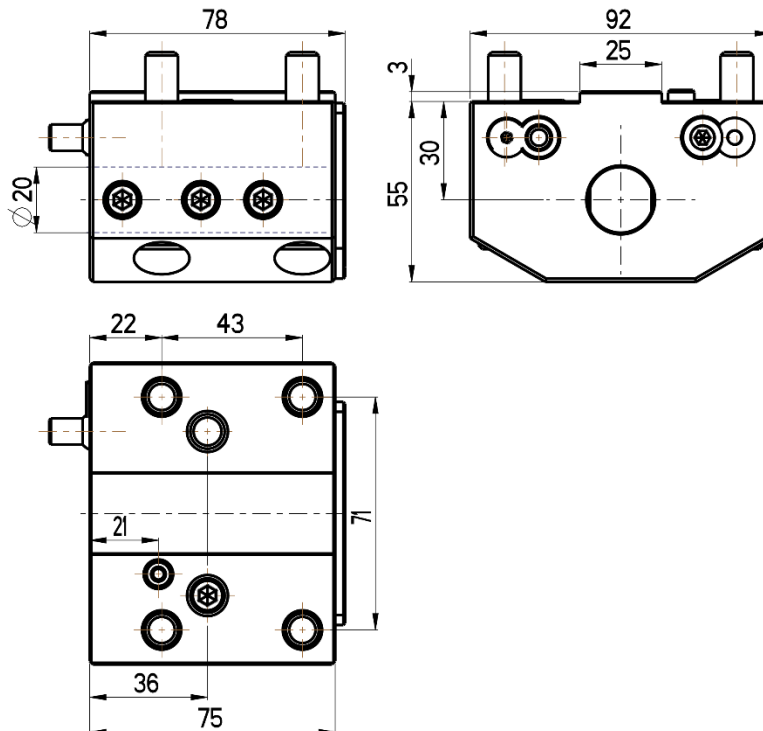
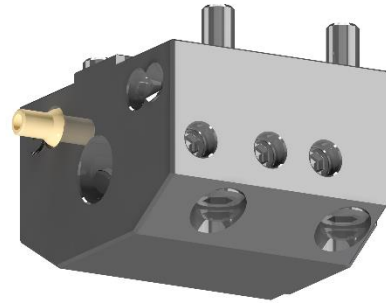




ID cutting holder
GILDEMEISTER TURRET



RGX ID-25x20x30(GI)

Cooling: *external & internal*