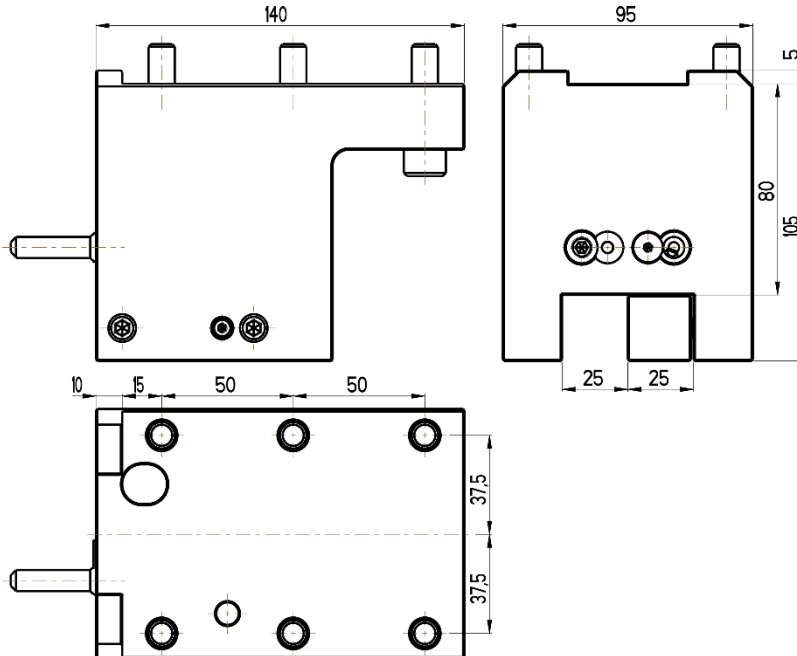
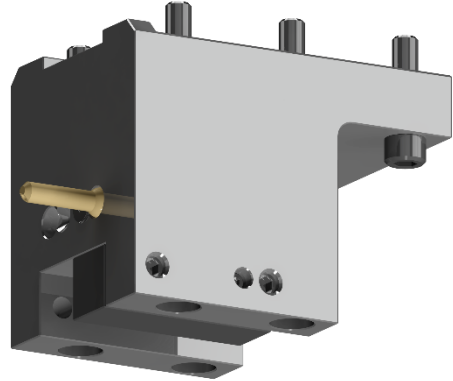




Face cutting holder

OKUMA TURRET

2SP-250H



RGX F-25x105(JC)

Cooling: *external*