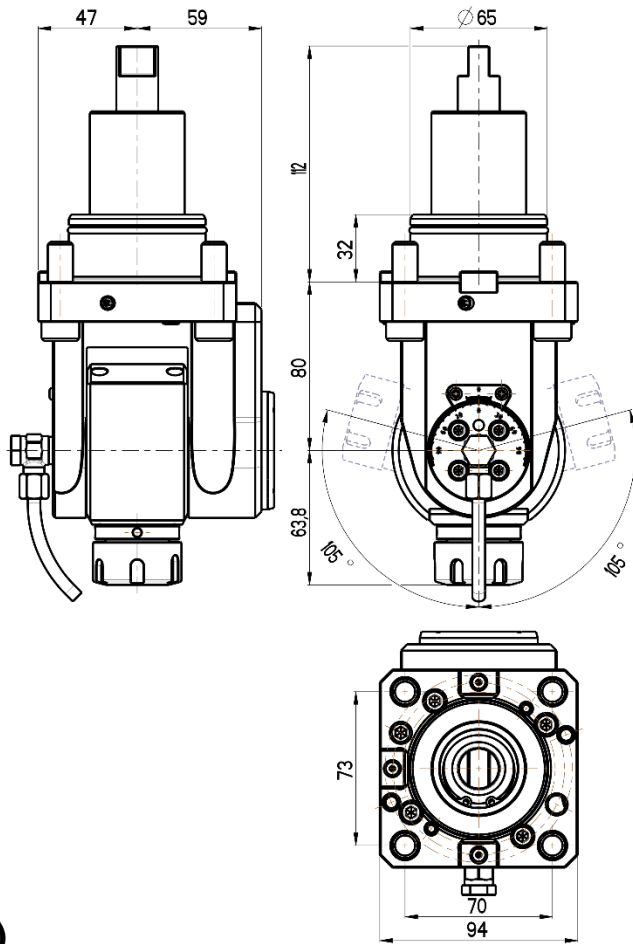
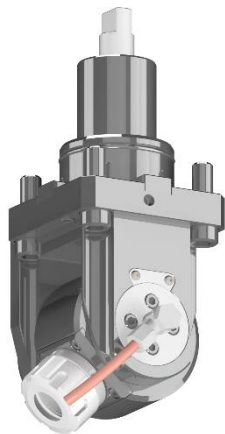




ANGULAR LIVE TOOL HOLDER

DOOSAN, Victor. Hyundai WIA, HAAS

BMT 65 TURRET



RGX2-65/501-25/1(DO)

Max. speed: 6000 rpm

Max. torque: 16 Nm

Collet: ER25

Direction of rotation: ↻ ↻

Ratio: 1:1

Cooling: external (internal cooling available)

Accessories

Nut : Clamping wrench type E 25



Spindle: Hook wrench DIN 1810B 40-42

