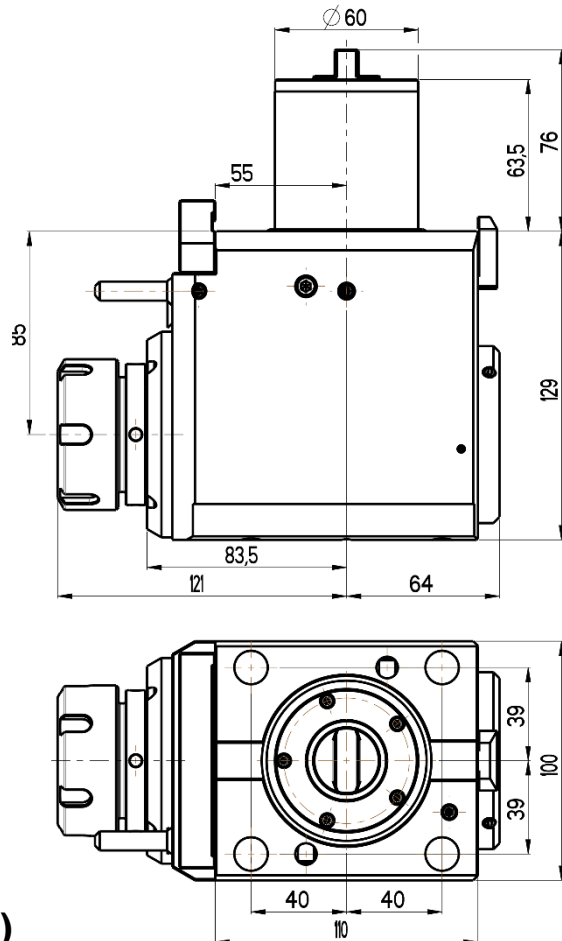
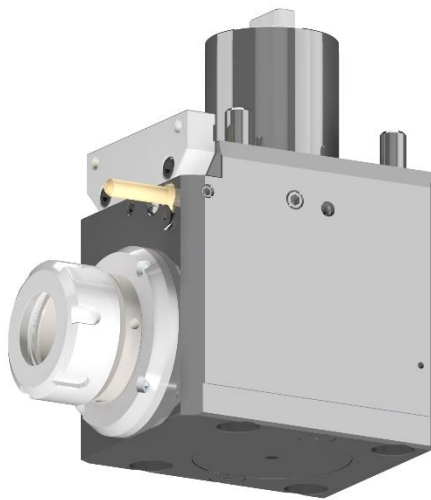




ANGULAR LIVE TOOL HOLDER

**OKUMA TURRET
LB 4000 EX M**



RGX2-60/201-40/2.3-85(JB)

Max. speed: 6000 rpm

Max. torque: 80 Nm

Collet: ER40

Direction of rotation: 

Ratio: 1:1

Cooling: external & internal

Max. pressure: 20 bar

Accessories

Nut : Clamping wrench type E 40



Spindle: Hook wrench DIN 1810B 58-62

