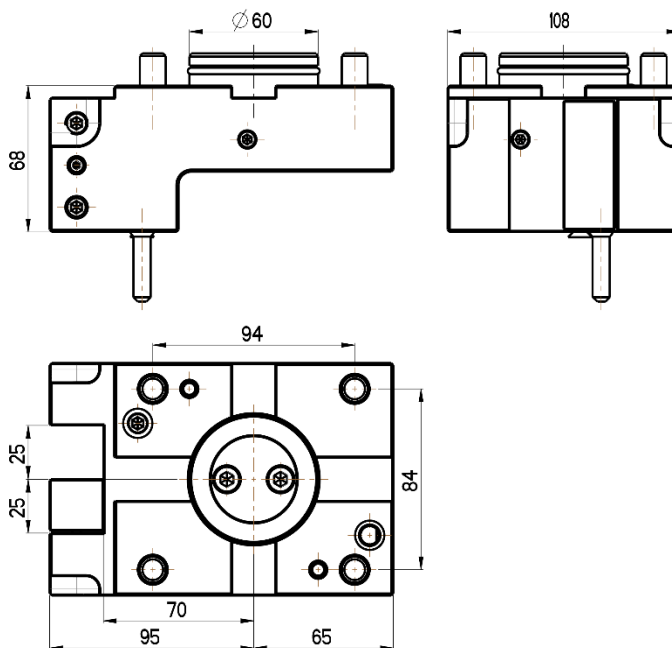
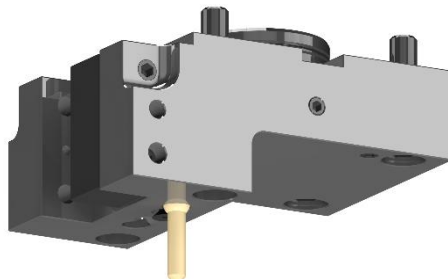




OD cutting holder

Mori Seiki TURRET
NL 1500/200/2500/3000
BMT 60



RGX OD-60x25x68(MS)

Cooling: *external*