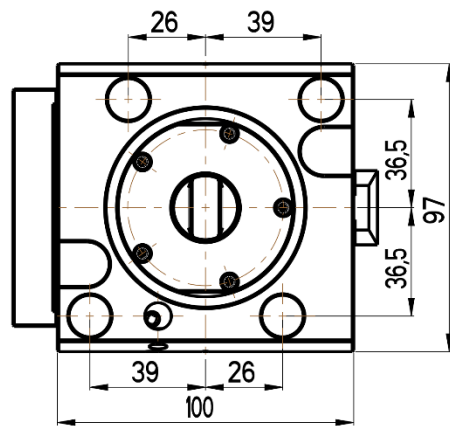
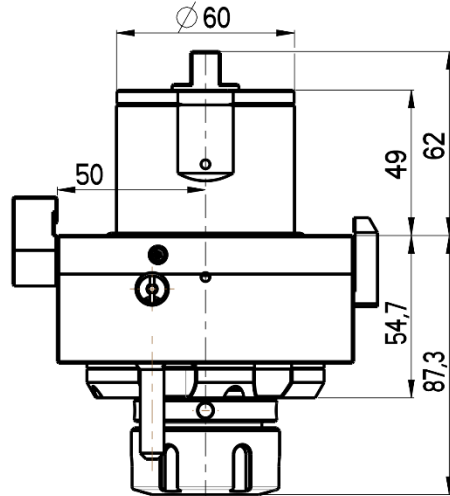
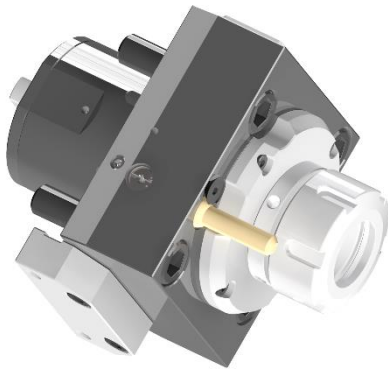




STRAIGHT LIVE TOOL HOLDER

OKUMA TURRET

LB 2000/2500/3000 EX M




RGX2-60/101-32/2(JA)

Max. speed: 6000 rpm

Max. torque: 70 Nm

Collet: ER32

Direction of rotation: 

Ratio: 1:1

Cooling: external & internal

Max. pressure: 20 bar

Accessories

Nut : Clamping wrench type E 32



Spindle: Hook wrench DIN 1810B 45-50

