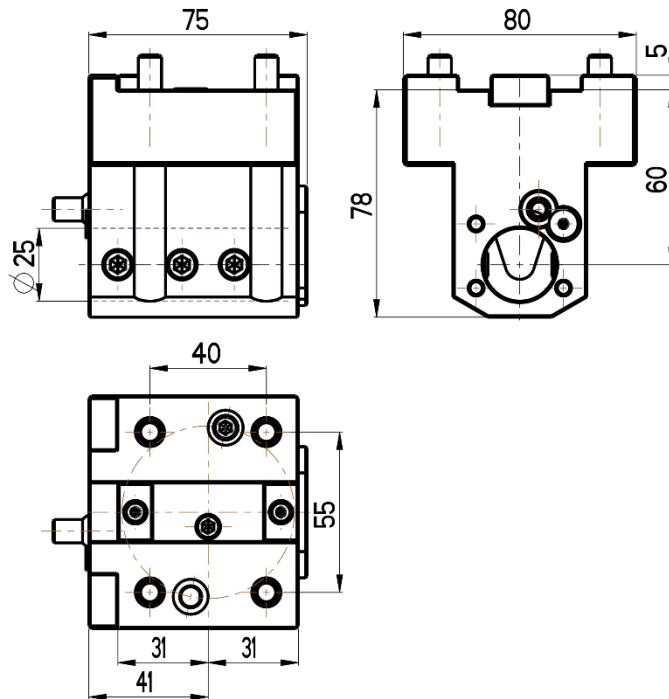
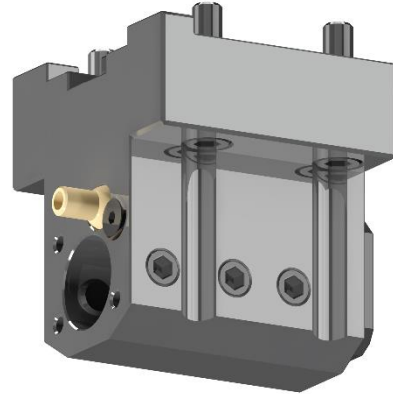




ID cutting holder
Nakamura-Tome TURRET
BMT 44



RGX ID-44x25x60(NT)

Cooling: *external & internal*