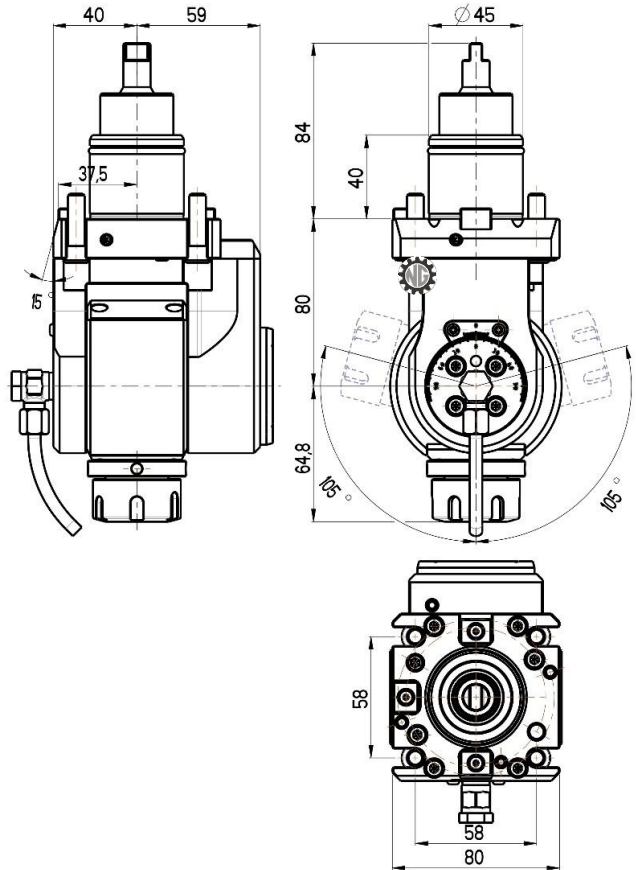




**VARIABLE ANGLE
LIVE TOOL HOLDER
DOOSAN, Hardinge
BMT 45 TURRET**



RGX2-45/501-25/1(DO)

Max. speed: 6000 rpm

Max. torque: 16 Nm

Collet: ER25

Direction of rotation: 

Ratio: 1:1

Cooling: external (internal cooling available)

Optional accessories

Nut: Clamping wrench type E 25

Spindle: Hook wrench DIN 1810B 45-50

