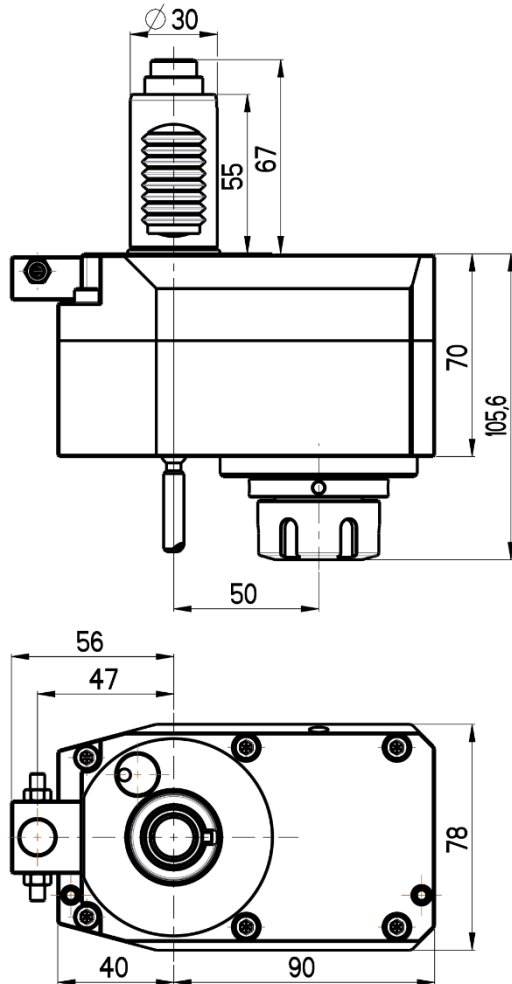
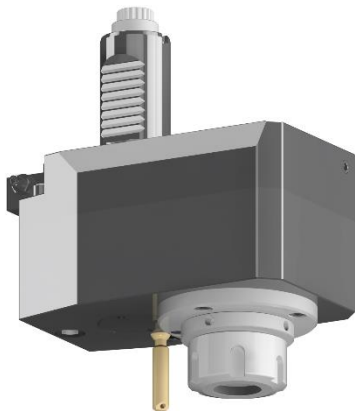




# OFFSET STRAIGHT LIVE TOOL HOLDER

VDI 30 / DIN 5480



**RGX1-30/331-25/1.1-50(2:1)**

**Max. speed:** 3000 rpm

**Max. torque:** 40 Nm

**Collet:** ER25

**Direction of rotation:**

**Ratio:** 2:1

**Cooling:** external (internal cooling available)

### Accessories

**Nut :** Clamping wrench type E 25

**Spindle:** Hook wrench DIN 1810B 45-50

