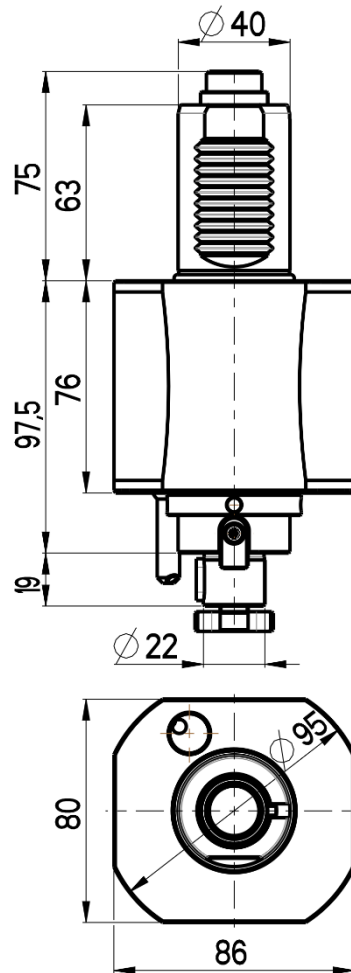
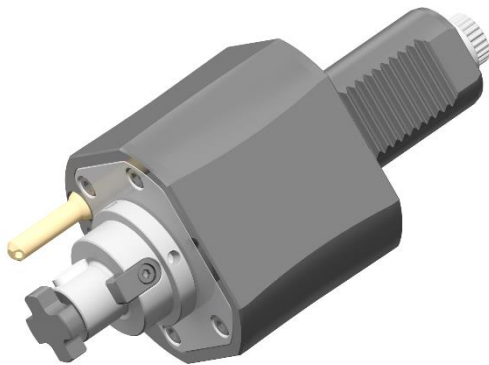




# STRAIGHT LIVE TOOL HOLDER

VDI 40 / DIN 5480



**RGX1-40/133-22/1**

**Max. speed:** 6000 rpm

**Max. torque:** 50 Nm

**Shell mill:**  $\varnothing 22$

**Direction of rotation:**

**Ratio:** 1:1

**Cooling:** external (internal cooling available)

### Accessories

**Nut :** Wrench DIN 6368 22

**Spindle:** Hook wrench DIN 1810B 45-50

