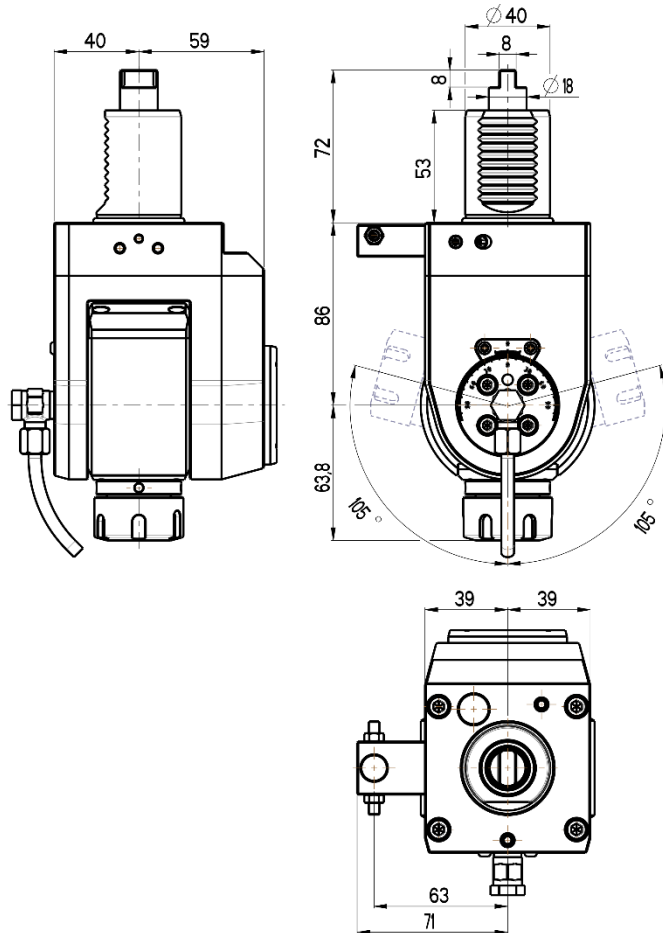




VARIABLE ANGLE LIVE TOOL HOLDER

VDI 40 / DIN 1809



RGX1-40/521-25/2

Max. speed: 6000 rpm

Max. torque: 16 Nm

Collet: ER25

Direction of rotation:

Ratio: 1:1

Cooling: external & internal

Max. pressure: 20 bar

Accessories

Nut : Clamping wrench type E 25

Spindle: Hook wrench DIN 1810B 40-42

